



**LIKE OUR PRODUCT?**

Then post a positive review!



This qualifies you for a 90-day extended warranty!

Then be sure to check the "like us" box when registering your product and you will automatically get an extra 90-days added to your product warranty.

**MODEL NUMBER:  
DFA400T2**



**C US**

**PORTABLE  
FORCED AIR HEATERS  
"USER'S MANUAL"**



**LISTED**

Before the first use of this heater, please read this USER'S MANUAL very carefully. This USER'S MANUAL has been designed to instruct you as to the proper manner in which to assemble the heater, maintain the heater, store the heater, and most importantly, how to operate the heater in a safe and efficient manner. Please keep this manual for future reference.



**CALIFORNIA RESIDENTS ONLY-WARNING:**

This product contains chemicals including di(2-ethylhexyl) phthalate (DEHP), which is known to the State of California to cause cancer and birth defects or other reproductive harm. For more information go to: [www.P65Warnings.ca.gov](http://www.P65Warnings.ca.gov)

**World Marketing of America, Inc.  
RT.22 West, P.O. Box 192  
Mill Creek, PA 17060  
Telephone : 800-776-9425 (9AM - 4PM EST)  
[www.worldmktng.com](http://www.worldmktng.com)**

**NEVER LEAVE THE HEATER  
UNATTENDED WHILE BURNING!**

**⚠ DANGER:** IMPROPER USE OF THIS HEATER CAN RESULT IN SERIOUS INJURY OR DEATH FROM BURNS, FIRE, EXPLOSION, ELECTRICAL SHOCK AND/OR CARBON MONOXIDE POISONING.

**⚠ WARNINGS:**

**1. RISK OF INDOOR AIR POLLUTION!**

- Use this heater only in well ventilated areas. Provide at least a three-square foot (2,800 sq. cm.) opening of fresh outside air for each 100,000 BTU/hr. of heater rating.
- People with breathing problems should consult a physician before using the heater.
- **Carbon monoxide poisoning:** Early signs of carbon monoxide poisoning resemble the flu, with headaches, dizziness and/or nausea. If you have these signs, the heater may not be working properly.  
**Get fresh air at once!** Have the heater serviced. Some people are more affected by carbon monoxide than others. These include pregnant women, persons with heart or lung disease or anemia, those under the influence of alcohol, or those at high altitudes.
- Never use this heater in living or sleeping areas.

**2. RISK OF BURNS/FIRE/EXPLOSION!**

- NEVER use any fuel other than 1-K kerosene, #1/#2 diesel/fuel oil, JET A or JP-8 fuels in this heater.
- NEVER use fuel such as gasoline, benzene, paint thinners or other oil compounds in this heater.  
**(RISK OF FIRE OR EXPLOSION)**
- NEVER use this heater where flammable vapors may be present.
- NEVER refill the heaters fuel tank while heater is operating or is still hot.

**⚠ CAUTION :** Hot while in operation. Do not touch. Keep children, clothing and combustibles away from heater.

- **Minimum Clearances:** Outlet: 8 feet (250cm) / Sides, top and rear: 4 feet (125cm)
- NEVER block air inlet (rear) or air outlet (front) of heater.
- NEVER use duct work in front or behind of heater.
- NEVER move, handle, service a hot, operating or plugged in heater.
- NEVER transport heater with fuel in it's tank.
- When used with an optional thermostat or if equipped with a thermostat heater may start at any time.
- ALWAYS locate heater on a stable and level surface.
- ALWAYS keep children and animals away from heater.
- Bulk fuel storage should be a minimum of 25 ft. from heaters, torches, portable generators or other sources of ignition. All fuel storage should be in accordance with federal, state or local authorities having jurisdiction.

**3. RISK OF ELECTRIC SHOCK!**

- Use only the electrical power (voltage and frequency) specified on the model plate of the heater.
- Use only a three-prong, grounded outlet and extension cord.
- ALWAYS install the heater so that it is not directly exposed to water spray, rain, dripping water or wind.
- ALWAYS unplug the heater when not in use.

**MASSACHUSETTS RESIDENTS:** Massachusetts state law prohibits the use of this heater in any building which is used in whole or in part for human habitation. Use of this heating device in Massachusetts requires local fire dept. permit (M.E.L.C. 148, Section 10A.)

**CANADIAN RESIDENTS:** Use of this heater shall be in accordance with authorities having jurisdiction and CSA Standard B139.

**NEW YORK CITY RESIDENTS:** For use only at construction sites in accordance with applicable NYC codes under NYCFD certificate of approval # 5034 and 5037.

**NEVER LEAVE THE HEATER  
UNATTENDED WHILE BURNING!**

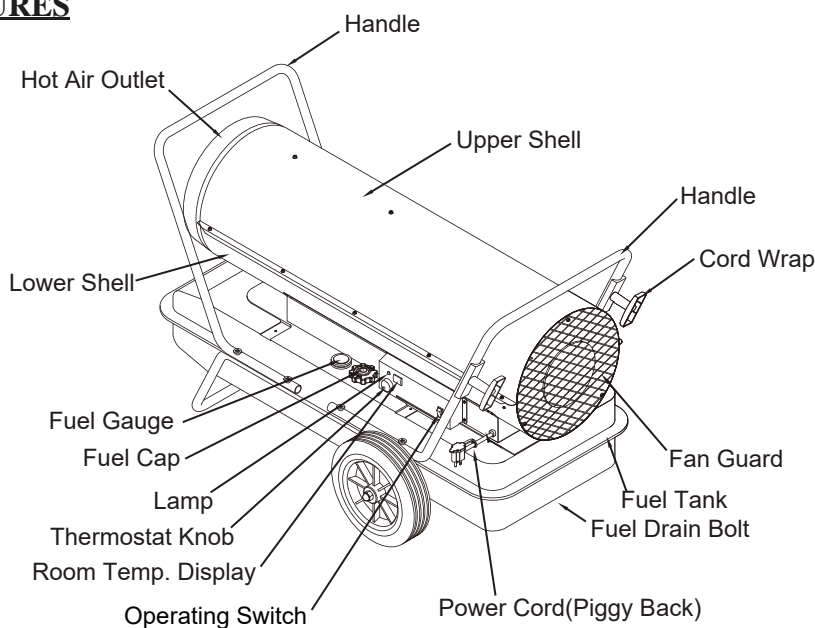
**CONTENTS OF USER'S MANUAL**

<u>ITEM</u>	<u>PAGE #</u>
PRECAUTIONS - SAFETY GUIDE .....	1
1. INTRODUCTION .....	2
2. FEATURES .....	2
3. UNPACKING AND ASSEMBLY .....	3
4. FUEL SELECTION .....	4
5. OVERVIEW OF HEATER DESIGN .....	5
6. FUELING YOUR HEATER .....	5
7. OPERATION .....	6
8. LONG TERM STORAGE OF YOUR HEATER .....	8
9. MAINTENANCE .....	9
10 REPLACING FUSE .....	14
11 TROUBLE SHOOTING GUIDE .....	15
12 WIRING DIAGRAM .....	16
13 SPECIFICATIONS .....	17
14 EXPLODED PARTS DRAWING .....	18
15 PARTS LIST .....	19

**1. INTRODUCTION**

Please read this USER'S MANUAL carefully. It will show you how to assemble, maintain, and operate the heater safely and efficiently to obtain full benefits from its many built-in features.

**2. FEATURES**



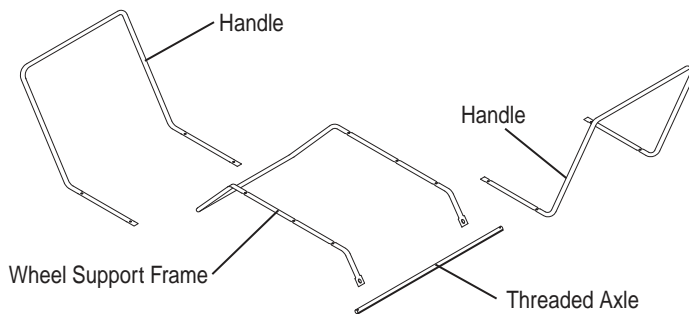
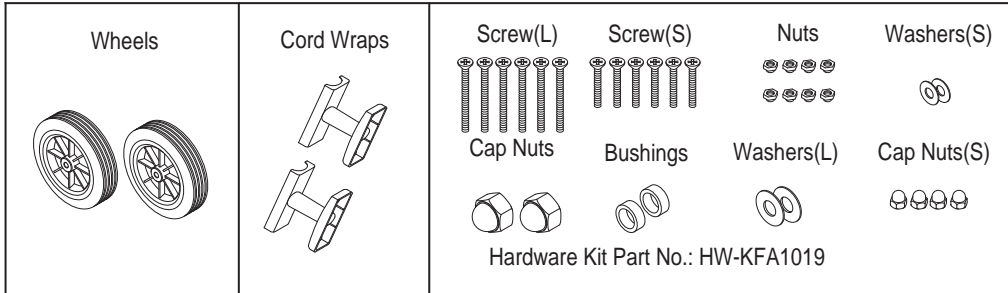
**Figure 1. RFA400T2 MODEL**

**NEVER LEAVE THE HEATER  
UNATTENDED WHILE BURNING!**

### 3. UNPACKING AND ASSEMBLY

1. REMOVE THE HEATER AND ALL PACKING MATERIALS FROM THE BOX. (See Fig.2)

NOTE: Save the shipping carton and packing materials for future storage.



**Figure 2. PACKING MATERIALS**

2. ASSEMBLING

#### Tools Required

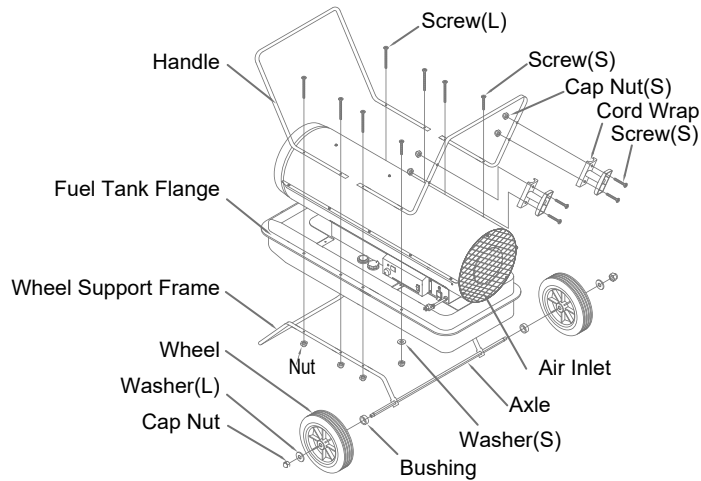
- Medium Phillips Screwdriver
- 24mm Socket Wrench

#### Assembling wheel & handle & cord wrap

- 1) Slide threaded axle through the rear section of the wheel support frame.
- 2) Slide one axle bushing on to each side of the axle. Slide one wheel on to each side of the axle. Insert washers(L) on each side of the threaded shaft and tighten the cap nut.
- 3) Place heater on wheel support frame. Make sure air inlet end (rear) of heater is over wheels. Align the holes on fuel tank flange. Insert screws(L) through handles (front and Rear), fuel tank flange, and wheel support frame. Insert screws(S) through rear handle, fuel tank flange, and washer(S) as shown in figure 3 and attach nut finger tight after each screw is inserted.
- 4) After all screws are inserted, tighten nuts firmly.
- 5) Align the hole on the rear handle with the mounting hole on the cord wrap.
- 6) Insert screws through cord wrap, rear handle as shown in Figure 3 and attach nut finger tight after each screw is inserted.
- 7) After all screws are inserted, tighten nuts firmly.

**⚠ CAUTION: DO NOT OPERATE heater without support frame assembled to tank.**

**NEVER LEAVE THE HEATER  
UNATTENDED WHILE BURNING!**



**Figure 3. Assembling Handle & Wheel and Cord wrap**

**⚠ CAUTION:** DO NOT OPERATE heater without support frame assembled to tank.

**NOTE:** Heater should be inspected before each use, and at least annually by a qualified service person.

#### **4. FUEL SELECTION**

1. All models can use 7 different fuels: K1 Kerosene, #1 Fuel Oil, #1 Diesel, #2 Fuel Oil, #2 Diesel, Jet A, JP-8
2. K1 Kerosene is recommended for optimal combustion and performance, and for less maintenance. K1 is also the optimal fuel choice in extremely low temperatures of 15°F or less, as its pour-point/"gel-point" varies depending on the refinery, but it is always far below the lowest temperatures reached North America.
3. Jet A and JP-8 are also excellent choices for clean combustion, reduced maintenance, and temperatures below 15°F, but they are rarely found outside of the aviation industry or the military.
4. #1 Fuel Oil, #1 Diesel, #2 Fuel Oil, #2 Diesel are often selected, as they are readily available. However, the user must understand that Fuel Oil and Diesel are less refined, and therefore the user should be aware of the following:
  - a. #1 Diesel and #1 Fuel Oil will have some degree of increased smoke/soot during ignition, increased smell, and increased regular cleaning/maintenance.
  - b. #2 Diesel and #2 Fuel Oil will, generally depending on the regional refinery, burn dirtier than #1 fuels. The use of #2 fuels will result in a little more smoke/soot during ignition, a greater increase in smell, and will require more regular cleaning/maintenance than #1 fuels.
  - c. At temperatures lower than 15°F, most diesel/fuel oil blends will become more viscous (start to gel) as the diesel falls below its pour point (starts to "gel"), and may pose a challenge igniting the heater and with continuous operation of the heater. There are troubleshooting steps for this situation, but selecting K1 (or JP-8/Jet A) is recommended when operating below 15°F. The colder the temperatures the more likely you could problems you will experience diesel gelling.
  - d. Diesel fuel gelling happens when the paraffin usually present in diesel starts to solidify when the temperature drops. At 32°F, the wax in liquid form will crystallize and leave the fuel clouded; this can start to have an effect on the fuel filter and the nozzle. If the nozzle is getting coated the spray pattern will not be correct which can cause white smoke and performance problems.

**KEROSENE SHOULD ONLY BE STORED IN A BLUE CONTAINER THAT IS CLEARLY MARKED "KEROSENE". NEVER STORE KEROSENE IN A RED CONTAINER.**

Red containers are associated with gasoline.

**NEVER** store kerosene in the living space. Kerosene should be stored in a well ventilated place outside the living area.

**NEVER** use any fuel other than 1-K kerosene (#1/#2 diesel/fuel oil, JET A or JP-8 fuels are acceptable substitutes)

**NEVER** use fuel such as gasoline, benzene, alcohol, white gas, camp stove fuel, paint thinners, or other oil compounds in this heater. These are volatile fuels that can cause an explosion or uncontrolled flames.

**NEVER** store kerosene in direct sunlight or near a source of heat.

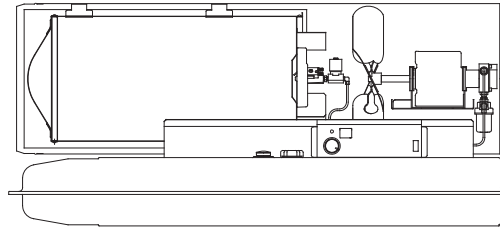
**NEVER** use kerosene that has been stored from one season to the next. Kerosene deteriorates over time.

**"OLD KEROSENE" WILL NOT BURN PROPERLY IN THIS HEATER.**

**NEVER LEAVE THE HEATER UNATTENDED WHILE BURNING!**

## 5. OVERVIEW OF HEATERS DESIGN

**Fuel System:** This heater is equipped with a Fuel pump(Gear)that pulls fuel through the fuel line connected to the fuel tank and then pushes fuel through a filter and a solenoid valve and out the burner head nozzle. This fuel is sprayed into the combustion chamber in a fine mist.



**“Sure Fire Ignition”:** The electronic ignitor sends voltage to a specially designed spark plug. The spark plug ignites the fuel and air mixture.

**The Air System:** The heavy duty motor turns a fan that forces air into and around the combustion chamber. This air is heated and then forced out the front of the heater.

### **The Safety System:**

**A. Temperature Limit Control:** This heater is equipped with a Temperature Limit Control designed to turn off the heater should the internal temperature rise to an unsafe level. If this device activates and turns your heater off it may require service.

Internal Shut-Off Temp. Plus/Minus 10 Degrees	Reset Temperature Plus/Minus 10 Degrees
176°F/80°C	122°F/50°C

**B. Electrical System Protection :** This heaters electrical system is protected by a fuse mounted to the PCB assembly that protects it and other electrical components from damage. If your heater fails to operate check this fuse first and replace as needed.

<b>FUSE TYPE:</b>	250 VAC / 8 amps
-------------------	------------------

**C. Flame-Out Sensor :** Utilizes a photocell to monitor the flame in burn chamber during normal operation. It will cause the heater to shut-off should the burner flame extinguish.

## 6. FUELING YOUR HEATER

**NEVER FILL THE HEATER FUEL TANK IN THE LIVING SPACE: FILL THE TANK OUTDOORS.**

**DO NOT OVERFILL YOUR HEATER AND BE SURE HEATER IS LEVELED.**

**IMPORTANT NOTICE REGARDING FIRST IGNITION OF HEATER:**

The first time you light the heater, it should be done outdoors. This allows the oils, etc. used in manufacturing the heater to burn off outside.

**⚠ WARNING!:** **NEVER REFILL HEATER FUEL TANK WHEN HEATER IS OPERATING OR STILL HOT.**

**NEVER LEAVE THE HEATER  
UNATTENDED WHILE BURNING!**

## **7. OPERATION**

### A.) VENTILATION

#### RISK OF INDOOR AIR POLLUTION/USE HEATER ONLY IN WELL VENTILATED AREAS.

Provide at least a three-square foot (2,800 sq. cm.) opening of fresh outside air for each 100,000 BTU/hr. of heater rating.

### B.) OPERATION

#### **TO START HEATER**

1. Fill fuel tank with fuel.

NOTE : Kerosene is recommended when the temperature drops below 0°F (-18°C) to prevent ignition delay or failure.

3. Plug power cord of heater into three-prong, grounded extension cord.

Extension cord must be at least six feet long.

Extension Cord Wire Size Requirements

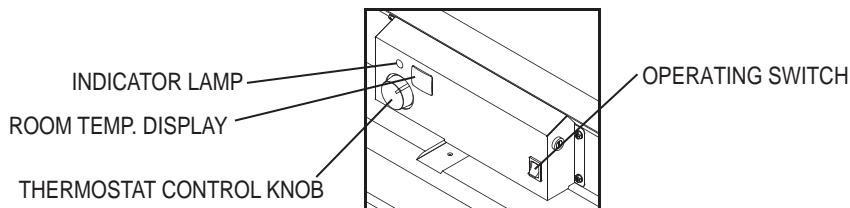
- 6 to 100 feet long, use 14 AWG conductor.
- 101 to 200 feet long, use 12 AWG conductor.
- 201 to 300 feet long, use 10 AWG conductor.
- 301 to 400 feet long, use 8 AWG conductor.
- 401 to 500 feet long, use 6 AWG conductor.

4. Turn “Thermostat Control Knob” to desired setting (setting range : 40°F~110°F) and push operating switch to “ON” position, power indicator lamp and room temp. display will light and heater will start.

NOTE: Room Temp. display indicates as following,

- When room temp. is less than 0°F : “Lo”
- When room temp. is between 0°F and 99°F : Indicates in figure.
- When room temp. is more than 99°F : “Hi”

If heater does not start, the thermostat setting may be too low, turn “THERMOSTAT CONTROL Knob” to higher position to start heater. If heater still does not start, turn operating switch to “OFF” and then to “ON” position. (Figure 4). If heater still does not start, see Troubleshooting Guide on page 13.



**Figure 4. CONTROL PARTS**

**NOTICE : The major electrical components of this heater are protected by a safety fuse mounted to the PCB board. If your heater fails to start, check this fuse first and replace as necessary. You should also check your power source to insure that proper voltage and frequency are being supplied to the heater.**

**NEVER LEAVE THE HEATER  
UNATTENDED WHILE BURNING!**

### **TO STOP HEATER**

**⚠ CAUTION ; Never unplug heater while heater is running**  
Heater must go through cooling cycle. The cooling cycle cools the combustion chamber. Damage to heater can occur if combustion chamber is not cooled. Do not restart heater until cooling cycle is complete.

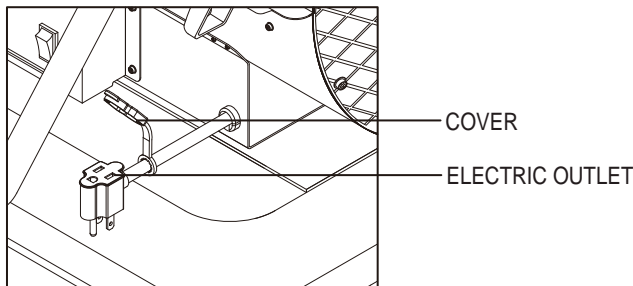
1. Turn operating switch to “OFF”.  
This will cause heater flame to go out.  
The motor will continue to run during the cooling cycle.  
(Room Temp. Display will show “CC” during the cooling cycle)  
This allows the fan to cool the combustion chamber. When the cooling cycle (approx. 1Min) is finished, the motor will stop.  
Do not unplug heater until cooling cycle is finished.
2. Unplug power cord.
3. To temporarily stop heaters, set thermostat at a temperature lower than air around heater,  
Heater will cycle back on if air temperature around heater matches thermostat setting.

### **TO RESTART HEATER**

**⚠ CAUTION ; Do not restart heater until cooling cycle is finished.**  
The cooling cycle cools the combustion chamber.

1. Wait until cooling cycle is finished after stopping heater.
2. Repeat steps under to start HEATER.

### **PIGGYBACK POWER CORD**



**Figure 5. Piggyback Power Cord**

**⚠ WARNING ; SHOCK HAZARD!**

- Always cover electric outlet when not in use.
- Do not plug in and use an appliance of more than 120V 5A current in this outlet.



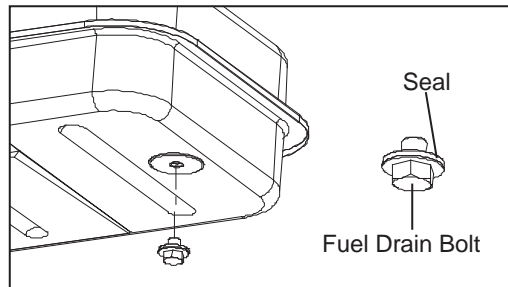
**NEVER LEAVE THE HEATER  
UNATTENDED WHILE BURNING!**

## **8. LONG TERM STORAGE OF YOUR HEATER**

1. Remove fuel drain bolt from rear bottom side of fuel tank using 3/4" socket or adjustable wrench and drain.
2. Using a small amount of kerosene, swirl and rinse the inside of the tank.  
**NEVER mix water with the kerosene** as it will cause rust inside the tank.  
Pour the kerosene out making sure that you remove it all.

**IMPORTANT** : Do not store kerosene over summer months for use during next heating season.  
Using old fuel could damage heater.

3. Reinstall Fuel Drain Bolt to Fuel tank and tighten firmly using 3/4" socket or adjustable wrench.



**Figure 6. Drain Bolt**

**IMPORTANT** : Before reinstalling the fuel drain bolt, make sure the seal is on the bolt. If the seal is not used the bolt cannot be installed correctly and the fuel tank will leak.

4. Store heater in dry well ventilated area. Make sure storage place is free of dust and corrosive fumes.
5. Store the heater in the original box with the original packing material and keep the USER'S MANUAL with the heater.

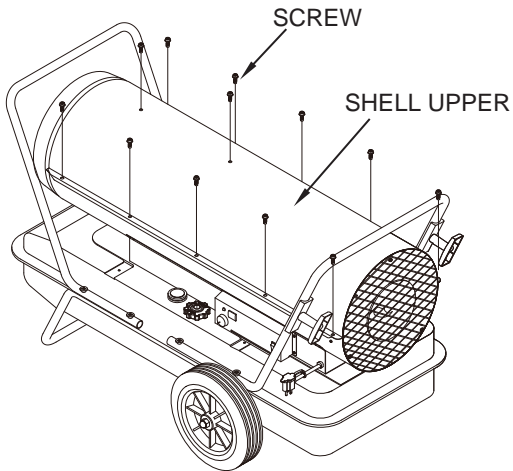
**NEVER LEAVE THE HEATER UNATTENDED WHILE BURNING!**

## **9. MAINTENANCE**

**WARNING!! NEVER SERVICE HEATER WHILE IT IS PLUGGED IN OR WHILE HOT!**

**USE ORIGINAL EQUIPMENT REPLACEMENT PARTS. Use of third party or other alternate components will void warranty and may cause unsafe operating conditions.**

### **A.) UPPER SHELL REMOVAL**

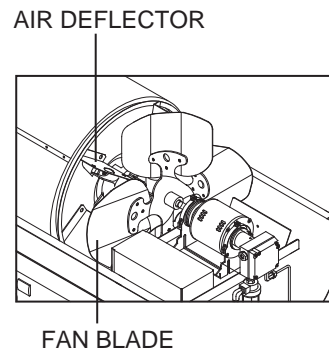


- Remove screws along each side and top of heater using medium phillips screw driver.
  - Lift upper shell off.
- (See Figure 7)

**Figure 7. Upper Shell Removal**

### **B.) FAN BLADES AND AIR DEFLECTOR CLEAN EVERY SEASON OR AS NEEDED.**

- Remove upper shell (See figure 7 above)
- Clean fan blades and air deflectors using a soft cloth moistened with kerosene or solvent.
- Dry fan blades and air deflectors thoroughly.
- Reinstall upper shell.



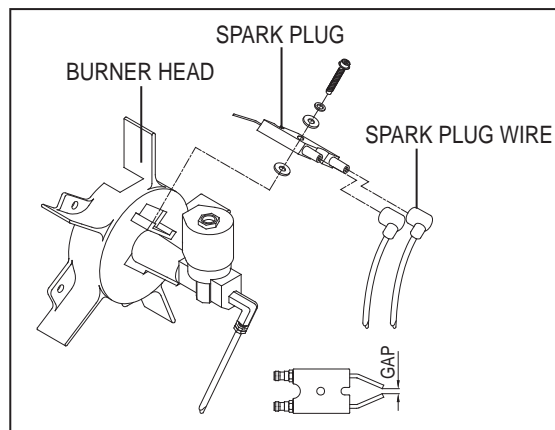
**Figure 8. Fan Blades and Air Deflectors**

**NEVER LEAVE THE HEATER  
UNATTENDED WHILE BURNING!**

### C.) SPARK PLUG

CLEAN AND REGAP EVERY 600 HOURS OPERATION OR REPLACE AS NEEDED.

- Remove upper shell (See page 9).
- Remove spark plug wire from spark plug (See Figure 9)
- Remove spark plug from burner head using medium phillips screw driver.
- Clean and regap spark plug electrodes to 0.14"(3.5mm) gap.
- Reinstall spark plug in burner head.
- Attach spark plug wire to spark plug.
- Reinstall upper shell.

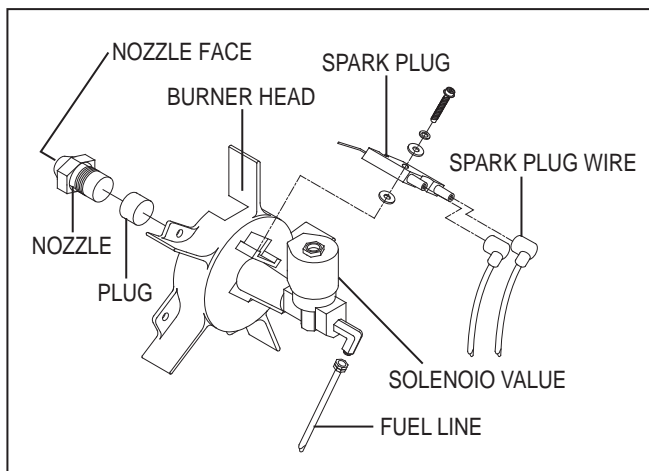


**Figure 9. Spark Plug**

### D.) NOZZLE

REMOVE DIRT IN NOZZLE AS NEED (See page 14)

- Remove upper shell (See page 9).
- Remove fuel line from solenoid valve using 1/4" wrench.
- Remove spark plug wire from spark plug.
- Remove spark plug from burner head using medium phillips screw driver.
- Remove five screws using medium phillips screwdriver and remove burner head from combustion chamber.
- Carefully remove nozzle from burner head using 5/8" socket wrench.
- Blow compressed air through face of nozzle. (this will remove any dirt in nozzle)
- Inspect nozzle for damage. If damaged or clogged, replace nozzle.
- Make sure plug is in place on burner head.
- Reinstall nozzle into burned head and tighten firmly. (175~200 inch-pounds)
- Reinstall spark plug in burner head.
- Attach burner head to combustion chamber.
- Attach spark plug wire to spark plug.
- Attach fuel line to solenoid valve tighten firmly.
- Replace upper shell.



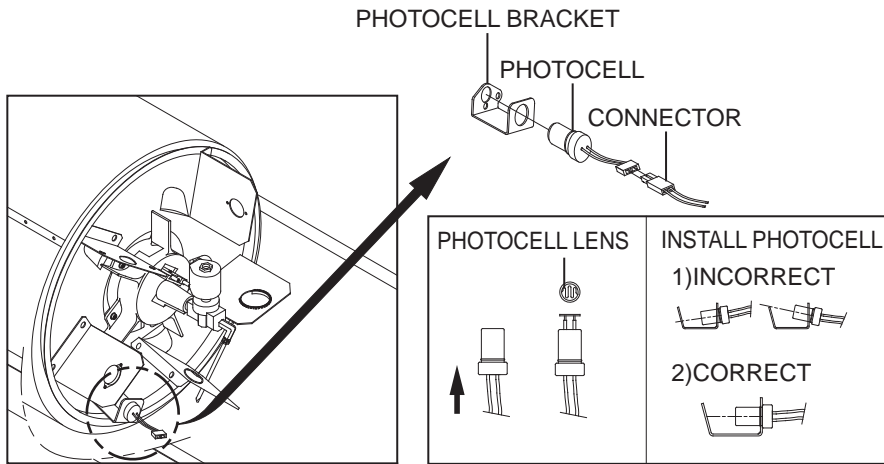
**Figure 10. NOZZLE**

**NEVER LEAVE THE HEATER UNATTENDED WHILE BURNING!**

### E.) PHOTOCELL

CLEAN PHOTO CELL ANNUALLY OR AS NEEDED.

- Remove upper shell (See Page 9)
- Remove photocell from photocell Bracket and disconnect photocell from connector.
- Clean photocell lens with cotton swab.
- Inspect photocell lens for damage. If damaged, replace photocell.

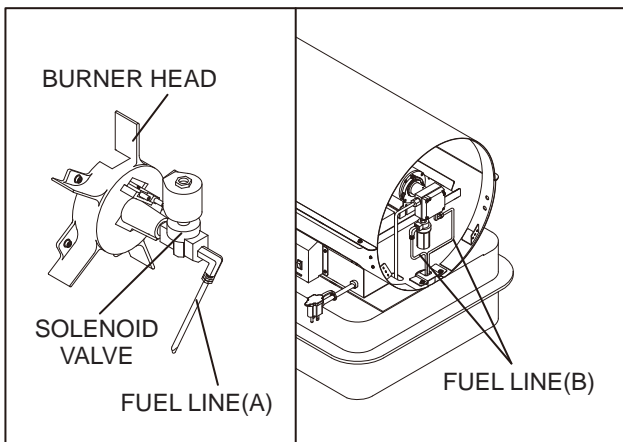


**Figure 11. Clean photocell Lens**

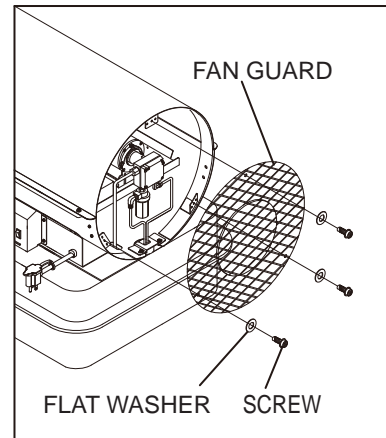
### F.) FUEL LINES

TIGHTENING FUEL LINES ANNUALLY OR AS NEEDED.

- Remove upper shell (See page 9).
- Use 1/4" wrench and tighten fuel lines(A) at solenoid valve and at pump. (See Figure 12)
- Remove fan guard (See Figure 13)
- Use 3/8" wrench and tighten fuel lines (B) at pump, pump fuel filter assembly.
- Reinstall fan guard.



**Figure 12. Tighten fuel line**



**Figure 13. Remove fan guard**

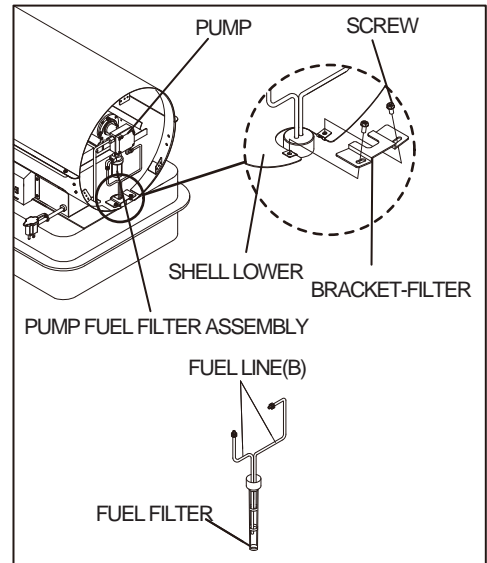
**NEVER LEAVE THE HEATER UNATTENDED WHILE BURNING!**

## G.) FUEL FILTER

CLEAN TWICE PER HEATING SEASON OR AS NEEDED.

### • Tank Fuel Filter

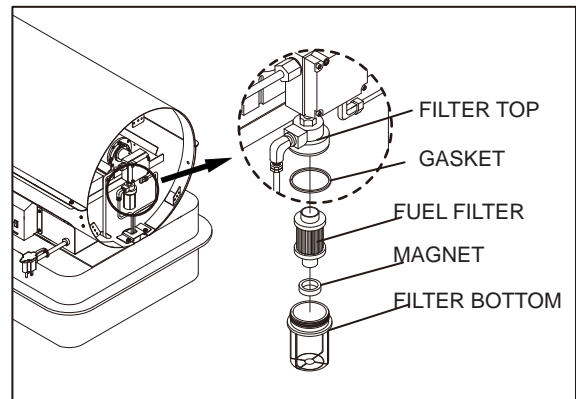
- Remove fan guard.(See page 11).
- Disconnect fuel line (B) from pump and pump fuel filter assembly with 3/8" wrench (See Figure 14)
- Remove two screws that fix bracket-filter to shell lower and remove bracket-filter.
- Carefully pry fuel filter loose from fuel tank with flat end of screw driver.
- Wash fuel filter and fuel lines with clean kerosene.
- Replace fuel filter into fuel tank.
- Replace bracket-filter to shell lower.
- Connect fuel lines (B) to pump and pump fuel filter assembly.
- Reinstall fan guard.



**Figure 14. Remove Tank Fuel Filter**

### • Pump Fuel Filter

- Remove fan guard.(See page 11)
- Unscrew (C.W) filter bottom from filter top with adjustable pliers.
- Remove fuel filter, gasket, magnet from filter bottom.(See Figure 15)
- Wash filter bottom with clean kerosene .
- Wipe inside of filter bottom dry with clean cloth.
- Wash Fuel filter in clean kerosene.
- Remove dirt attached magnet.
- Put clean magnet, fuel filter and gasket back in filter bottom.
- Tighten firmly.

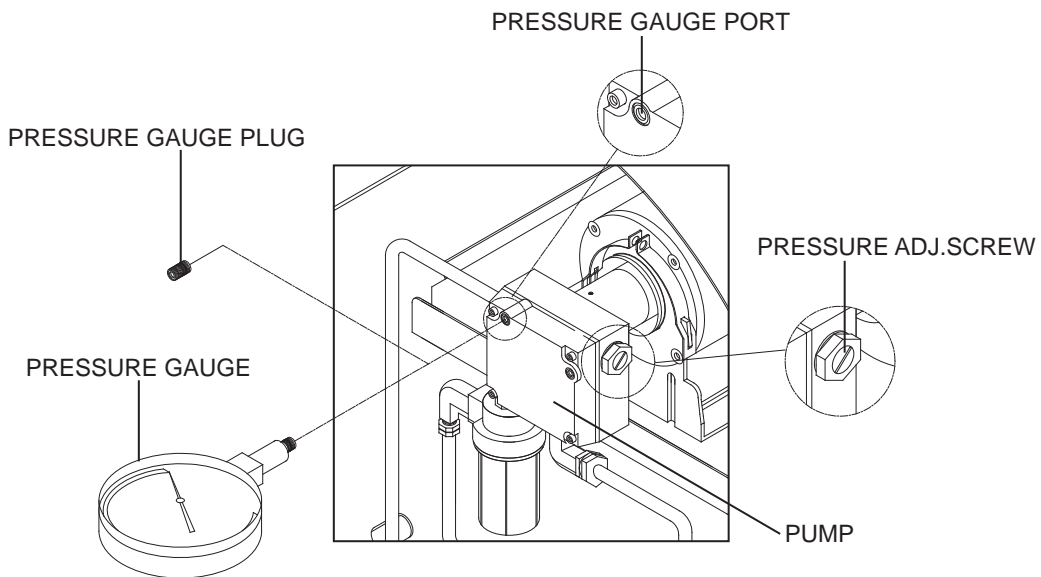


**Figure 15. Fuel Pump Filter**

**NEVER LEAVE THE HEATER  
UNATTENDED WHILE BURNING!**

## H.) PUMP PRESSURE ADJUSTMENT

- Remove pressure gauge plug from pump with 1/8" allen wrench.
- Install accessory pressure gauge to pressure gauge port. (See Figure 16)
- Start heater (See operation, page 6)  
Allow motor to reach full speed.
- Adjust pressure. (Using a small flat blade screw driver)  
Turn pressure adj. screw to clock wise to increase pressure.  
Turn screw to counter clock wise to decrease pressure.  
Set pump pressure to 125 PSI.
- Stop heater (See operation, page 6)
- Remove pressure gauge. Replace pressure gauge plug in pressure gauge port.



**Figure 16. Adjusting Pump Pressure**

**NOTE:** USE ONLY ORIGINAL EQUIPMENT REPLACEMENT PARTS.  
USE OF ALTERNATE OR THIRD PARTY COMPONENTS WILL VOID ANY WARRANTY  
AND MAY CAUSE UNSAFE OPERATING CONDITION.

**NEVER LEAVE THE HEATER  
UNATTENDED WHILE BURNING!**

## **10. REPLACING FUSE**

**NOTICE :** This heater is fuse protected.

**If your heater fails to ignite, DO NOT RETURN YOUR HEATER TO THE STORE.**

**Please follow the simple instruction below to inspect and change the fuse.**

### **PROCEDURE FOR REPLACING FUSE**

#### **⚠ WARNING : SHOCK HAZARD**

**To prevent personal injury, unplug the power cord before replacing fuse.**

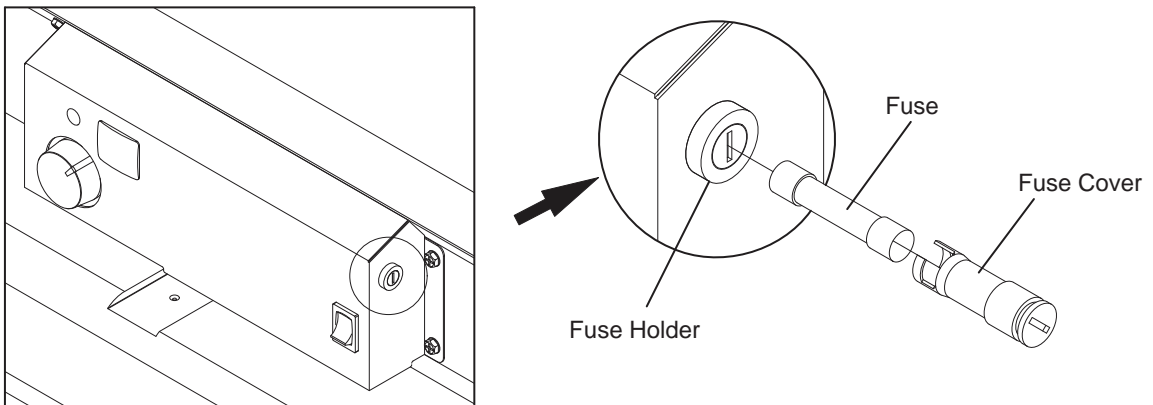
1. Unplug heater.
2. Turn Fuse Cover COUNTERCLOCKWISE 45° using a flat blade screwdriver and remove Fuse from Fuse Holder.
3. Replace Fuse.

#### **⚠ WARNING : FIRE HAZARD**

**To avoid fire, Do not substitute with a higher or lower current rating.**

4. Turn Fuse Cover CLOCKWISE 45° using a flat blade screwdriver while slightly pushing.

**NOTE : Specified fuse rating : 250VAC/20A**



**Figure 17. Replacing Fuse**

**NEVER LEAVE THE HEATER  
UNATTENDED WHILE BURNING!**

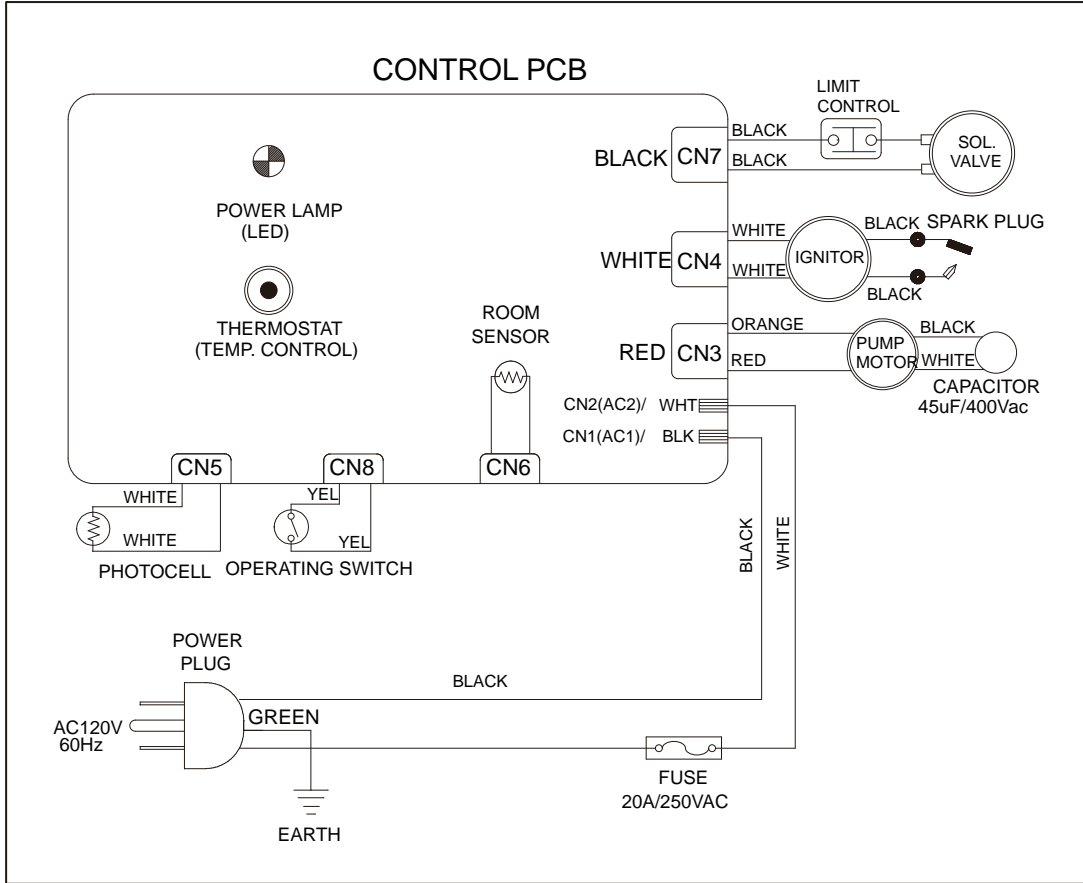
## 11. TROUBLE SHOOTING GUIDE

TROUBLE	POSSIBLE CAUSE	CORRECTIVE ACTION
<b>Heater ignites but MAIN PCB assembly shuts heater off after a short period of time. (Indicator lamp is flickering and room temp. display indicates "E1")</b>	<ol style="list-style-type: none"> <li>1. Wrong pump pressure</li> <li>2. Dirty Fuel Filter</li> <li>3. Dirt in Nozzle</li> <li>4. Dirty Photocell Lens</li> <li>5. Photocell Assembly not properly installed. (Not seeing the flame)</li> <li>6. Bad electrical connection between photocell and MAIN PCB assembly</li> <li>7. Defective photocell</li> <li>8. Temperature limit safety device is overheated</li> </ol>	<ol style="list-style-type: none"> <li>1. See Pump Pressure Adjustment, page 13.</li> <li>2. See Fuel Filter, page 12.</li> <li>3. See Nozzle, page 10.</li> <li>4. Clean Photocell Lens, page 11.</li> <li>5. Make sure photocell boot is properly seated in bracket, (See, page 11)</li> <li>6. Check electrical connections. See wiring diagram, page 15.</li> <li>7. Replace photocell, page 11.</li> <li>8. Turn operating switch to "OFF" and allow to cool (about 10 min.). Then turn operating switch to "ON" position.</li> </ol>
<b>Heater will not ignite but motor runs for a short period of time. (Indicator lamp is flickering and room temp. display indicates "E1")</b>	<ol style="list-style-type: none"> <li>1. No fuel in tank</li> <li>2. Wrong pump pressure</li> <li>3. Carbon deposits on spark plug and/or improper gap</li> <li>4. Dirty fuel filter</li> <li>5. Dirt in nozzle</li> <li>6. Water in fuel tank</li> <li>7. Bad electrical connection between ignitor and MAIN PCB assembly</li> <li>8. Ignitor wire is not attached to spark plug</li> <li>9. Defective ignitor</li> <li>10. Defective solenoid valve (not opening)</li> </ol>	<ol style="list-style-type: none"> <li>1. Fill tank with kerosene</li> <li>2. See Pump Pressure Adjustment, page 13.</li> <li>3. See Spark Plug, page 10.</li> <li>4. See Fuel Filter, page 12.</li> <li>5. See Nozzle, page 10.</li> <li>6. Flush fuel tank with clean kerosene, page 9.</li> <li>7. Check electrical connections, See wiring diagram, page 15.</li> <li>8. Attach ignitor wire to spark plug. See Spark Plug, page 10.</li> <li>9. Replace ignitor.</li> <li>10. Check electrical connections and voltage to solenoid valve. If defective, replace solenoid valve.</li> </ol>
<b>Fan does not turn when heater is plugged in and operating switch was in the "ON" position (Indicator lamp is on or flickering)</b>	<ol style="list-style-type: none"> <li>1. Thermostat setting is too low</li> <li>2. Bad electrical connection between motor and MAIN PCB assembly</li> </ol>	<ol style="list-style-type: none"> <li>1. Turn thermostat control knob to a higher setting</li> <li>2. Check electrical connections, See Wiring Diagram, page 15.</li> </ol>
<b>(Indicator lamp is flickering and room temp. display indicates "E2")</b>	<ol style="list-style-type: none"> <li>1. Sensor failure.</li> </ol>	<ol style="list-style-type: none"> <li>1. Replace sensor. See wiring diagram, page 15.</li> </ol>
<b>(Indicator lamp is flickering and room temp. display indicates "E3")</b>	<ol style="list-style-type: none"> <li>1. Thermostat switch failure</li> </ol>	<ol style="list-style-type: none"> <li>1. Replace switch See wiring diagram, page 15.</li> </ol>
<b>Heater will not turn-on (Indicator lamp is off)</b>	<ol style="list-style-type: none"> <li>1. No electrical power</li> <li>2. Blown fuse</li> </ol>	<ol style="list-style-type: none"> <li>1. Check to insure heater cord and extension cord are plugged in. Check power supply.</li> <li>2. Replace safety fuse on cover display.</li> </ol>



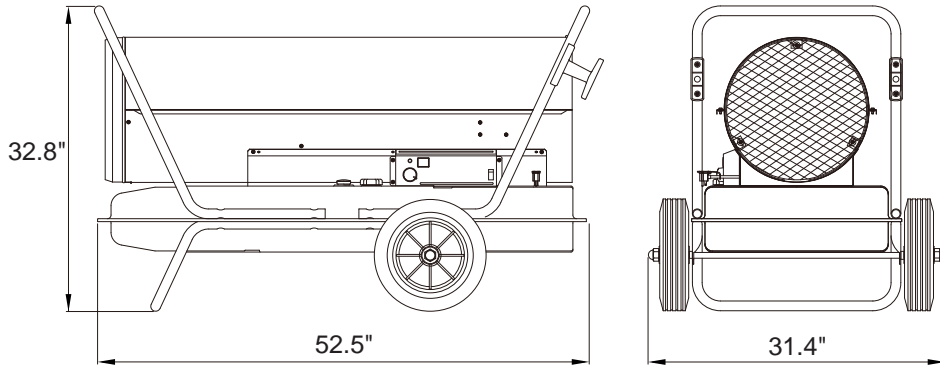
**NEVER LEAVE THE HEATER UNATTENDED WHILE BURNING!**

**12. WIRING DIAGRAM**



**NEVER LEAVE THE HEATER  
UNATTENDED WHILE BURNING!**

### 13. SPECIFICATIONS



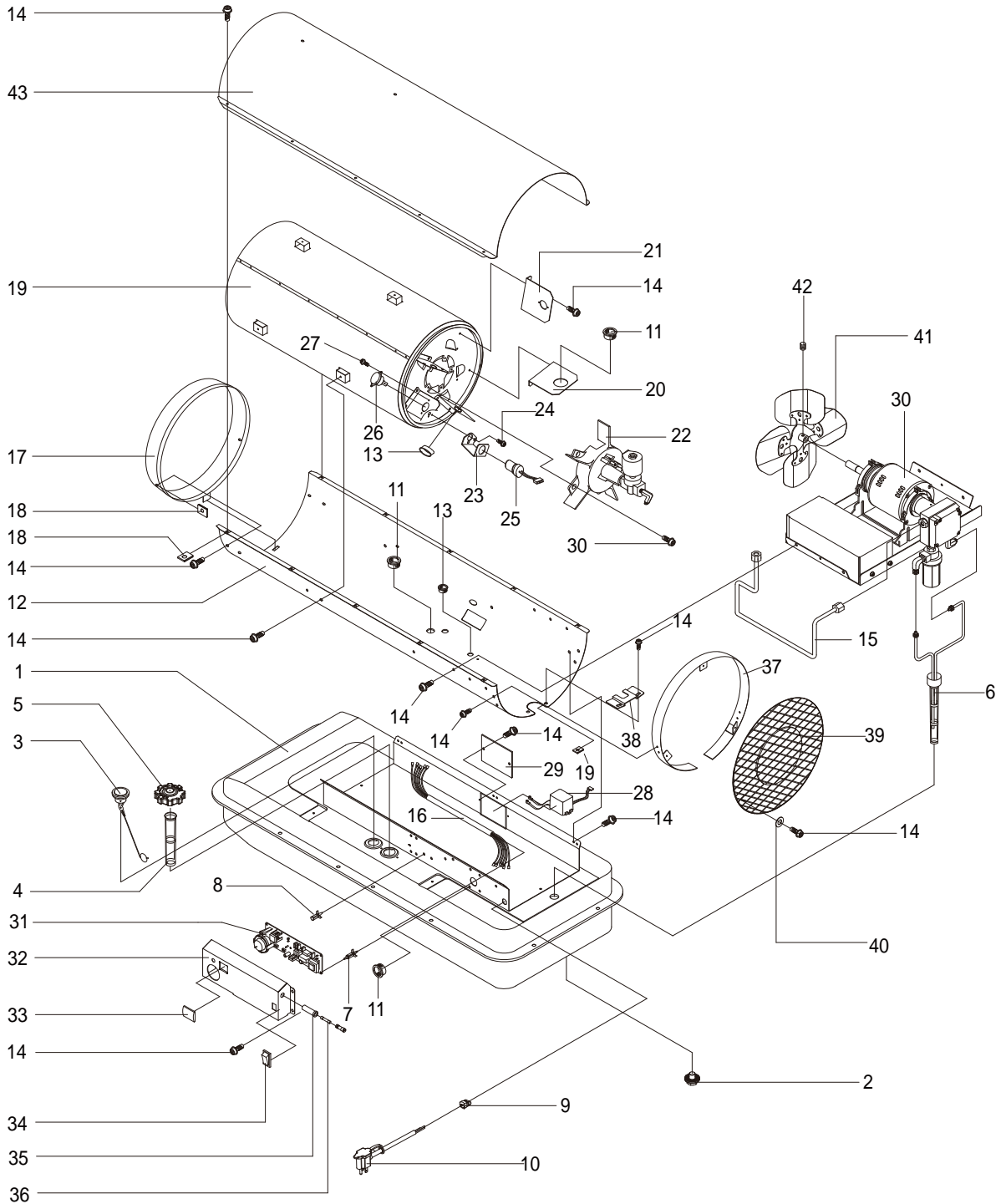
**DFA400T2**

MODEL	RFA400T2
BTU/Hr	400,000
Fuel Consumption-Gal./ (ℓ/Hr)	3.0(11.36)
Fuel Tank Capacity-Gal (ℓ)	29.0(110.0)
Pump Pressure PSI (kgf/cm <sup>2</sup> )	125(8.79)
Volts/Hz/Amps	120VAC/60/4.4
Phase	1
Size(D × W × H), Inch(mm)	52.5"×31.4"×32.8"(1,334×798×834)
Weight lbs. (kg)	150(68.0)

**NEVER LEAVE THE HEATER  
UNATTENDED WHILE BURNING!**

**14. EXPLODED PARTS DRAWING (RFA400T2 MODEL)**

NOTE: SPECIFY MODEL NUMBER AND PART NUMBER WHEN ORDERING PARTS.



**NEVER LEAVE THE HEATER  
UNATTENDED WHILE BURNING!**

## 15. PARTS LIST

KEY No.	DESCRIPTION	PART No.	Quantity
		RFA400T2	
1	Fuel Tank Assembly	2151-0010-01	1
2	Fuel Drain Bolt	4329-0072-00	1
3	Fuel Gauge	2156-0053-00	1
4	Fuel Filter	3221-0009-00	1
5	Fuel Cap	2151-0041-00	1
6	Filler Neck Assembly	2155-0007-00	1
7	Space Support	3713-0004-00	5
8	Card Support	3713-0016-00	3
9	Cord Bushing	3712-0013-00	1
10	Power Cord	3980-0268-00	1
11	Bushing Grommet(L)	3231-0188-00	3
12	Shell Lower	3111-0195-07	1
13	Bushing Grommet(S)	3231-0187-00	2
14	Flange Screw	4319-0015-00	26
15	Line-Fuel	3740-0031-00	1
16	Harness-Burner	39D0-0781-00	1
17	Cone-Outside	2153-0012-01	1
18	Clip Nut	3131-0182-00	14
19	Chamber Assembly	2152-0037-00	1
20	Air Deflector	3131-0650-00	1
21	Air Deflector	3131-0651-00	4
22	Burner Head Assembly	2152-0058-00	1
23	Bracket Photocell	3131-0159-00	1
24	Screw BH1	4311-0068-00	2
25	Photocell	2153-0007-00	1
26	Temperature Limit	38C0-0032-00	1
27	Screw PH2	4312-0021-00	2
28	Igniter	39E0-0021-00	1
29	Cover Igniter	3131-0309-01	1
30	Motor & Pump Assembly	2154-0025-00	1
31	P.C.B Assembly	215A-0075-00	1
32	Cover Display	3121-0587-09	1
33	Window Display	3231-0113-00	1
34	Operating Switch	39A0-0209-00	1
35	Fuse Holder	3930-0012-00	1
36	Fuse	3920-0061-00	1
37	Safe Guard Assembly	2153-0011-01	1
38	Bracket-Filter	3131-0465-00	1
39	Mesh Guard	3121-0336-01	1
40	Impeller Washer	3131-0240-00	3
41	Fan Assembly	2154-0021-00	1
42	Bolt Standard Socket	4323-0005-00	1
43	Shell Upper	3111-0196-07	1

FOR TECHNICAL ASSISTANCE SEE YOUR  
LOCAL RETAILER OR CONTACT US AT:  
PHONE: 800-776-9425  
EMAIL: support@worldmkting.com or  
info@worldmkting.com www.worldmkting.com

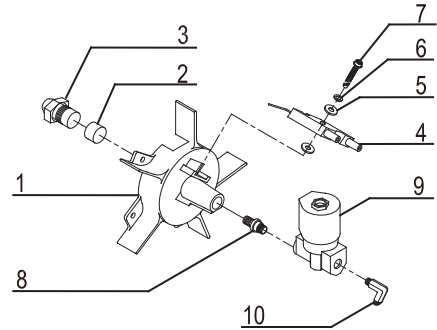


**NEVER LEAVE THE HEATER UNATTENDED WHILE BURNING!**

**15. PARTS LIST (BURNER HEAD ASSEMBLY & MOTOR AND PUMP ASSEMBLY)**

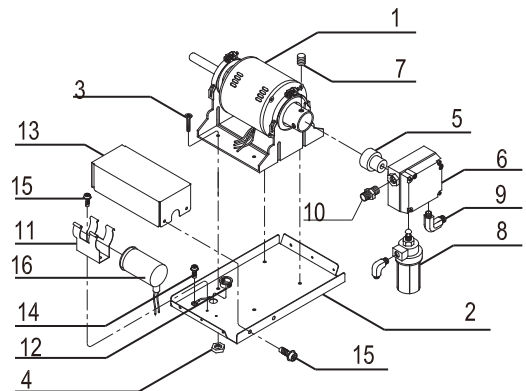
NOTE: SPECIFY MODEL NUMBER AND PART NUMBER WHEN DRDORDERING PARTS.

KEY NO.	DESCRIPTION	PART NO.
1	Burner Head	3531-0012-00
2	Plug	3541-0060-00
3	Nozzle	SP-KFA1031
4	Spark Plug	SP-KFA1009
5	Fiber Washer	4349-0017-00
6	Spring Washer	4342-0009-00
7	Flange Bolt	4329-0013-00
8	Nipple-Straight	3541-0057-00
9	Solenoid Valve	39A0-0084-00
10	Elbow Male	3740-0037-00



**Figure 18. Burner Head Assembly**

KEY NO.	DESCRIPTION	PART NO.
1	Motor	3970-0081-00
2	Supporter-Motor	3121-0334-00
3	Bolt(HH)	4321-0182-00
4	Nut Lock	4331-0022-00
5	Coupling-Pump	3531-0013-00
6	Gear Pump	3740-0026-00
7	Bolt-Headless Socket	4323-0008-00
8	Filter Oil Assembly	3740-0034-00
9	Elbow Male	3740-0044-00
10	Fitting-Straight	3740-0039-00
11	Holder Condenser	3131-0295-00
12	Bushing Grommet	3231-0187-00
13	Cover Condenser	3121-0338-00
14	Flange Screw	4319-0015-00
15	Capacitor	3820-0144-00



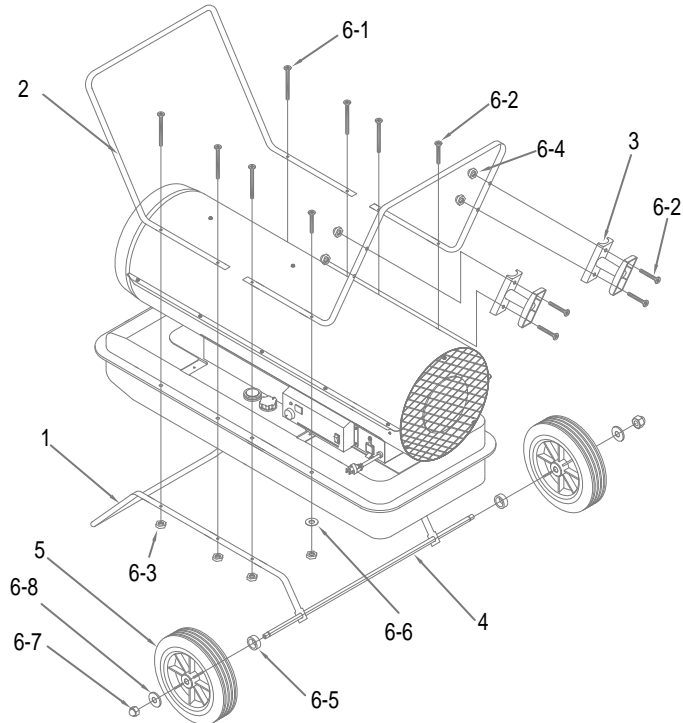
**Figure 19. Motor and Pump Assembly**

**NEVER LEAVE THE HEATER  
UNATTENDED WHILE BURNING!**

**15. PARTS LIST (Wheel and Handle)**

NOTE: SPECIFY MODEL NUMBER AND PART NUMBER WHEN ORDERING PARTS.

KEY NO.	DESCRIPTION	PART NO.	QTY
1	Wheel Support Frame	3551-0098-00	1
2	Handle	3551-0036-00	2
3	Cord Wrap	3221-0052-00	2
4	Threaded Axle	3541-0096-00	1
5	Wheel	3720-0004-00	2
6	Hardware Kit	HW-KFA1019	1
6-1	Screw (L)	INCLUDED IN HARDWARE KIT	6
6-2	Screw (S)	INCLUDED IN HARDWARE KIT	6
6-3	Nut	INCLUDED IN HARDWARE KIT	8
6-4	Cap Nut(S)	INCLUDED IN HARDWARE KIT	4
6-5	Bushing	INCLUDED IN HARDWARE KIT	2
6-6	Flat Washer(S)	INCLUDED IN HARDWARE KIT	2
6-7	Cap Nut(L)	INCLUDED IN HARDWARE KIT	2
6-8	Flat Washer(L)	INCLUDED IN HARDWARE KIT	2



### **LIMITED WARRANTY:**

**World Marketing of America, Inc.** warrants that this Reddy Heater to be free from defects in material and workmanship for a period of two (2) years. This warranty is limited to the original purchaser (NON-TRANSFERRABLE) and requires proof of purchase such as an invoice, cancelled check, sales receipt, etc. This warranty is limited to defects in material and workmanship and does not cover normal maintenance required to maintain proper operation of the heater, specifically not covered under this warranty is the replacement of rotors, filters, fuses, and ignitors.

This warranty does not apply to products purchased for rental use.

### **DUTIES OF THE OWNER:**

This heating appliance must be operated in accordance with the written instructions furnished with this heater. This warranty shall not excuse the owner from properly maintaining this heater in accordance with the written instructions furnished with this heater. A bill of sale canceled check or payment record must be kept to verify purchase date and establish warranty period. Original carton should be kept in case of warranty return of unit.

### **WHAT IS NOT COVERED:**

1. Damage resulting from the use of improper fuel.
2. Damage caused by misuse or use contrary to the owner's manual and safety guidelines.
3. Damage caused by a lack of normal maintenance.
4. Fuses
5. Use of non-standard parts or accessories.
6. Damage caused in transit. Freight charges on warranty parts or heaters to and from the factory shall be the responsibility of the owner.

In the event of a defect, this Limited Warranty shall be limited to the repair or replacement of parts, which prove defective under normal use and service within the limited warranty period. World Marketing of America, Inc. disclaims all other warranties for products that are purchased from sellers other than authorized retailers or distributors. World Marketing of America, Inc. (and its affiliated companies) SHALL HAVE NO LIABILITY WHATSOEVER TO THE PURCHASER OR ANY OTHER THIRD PARTY FOR ANY SPECIAL, INDIRECT, PUNITIVE, INCIDENTAL, OR CONSEQUENTIAL DAMAGES. This product must be properly maintained and operated in accordance with the instructions provided herein. This Limited Warranty does not cover any operational failures or difficulties due to normal use and wear and tear, accident, abuse, misuse, alteration, misapplication, improper installation or improper maintenance or service by you or any third party. Failure to perform normal and routine maintenance on the product, and damage due to environmental factors are not covered under this Limited Warranty. World Marketing of America, Inc. assumes no responsibility for any defects caused by third parties.

WORLD MARKETING OF AMERICA, INC. MAKES NO REPRESENTATIONS OR WARRANTIES WHATSOEVER, EXPRESS OR IMPLIED, WITH RESPECT TO THIS HEATING APPLIANCE, OTHER THAN (I) THE LIMITED WARRANTY ABOVE, AND (II) ANY IMPLIED WARRANTIES IMPOSED BY APPLICABLE LAW WHICH CANNOT BE WAIVED OR DISCLAIMED UNDER APPLICABLE LAW. THE LIMITED WARRANTY SET FORTH HEREIN IS THE SOLE WARRANTY PROVIDED TO PURCHASER AND IS IN LIEU OF ALL OTHER WARRANTIES AND REPRESENTATIONS, EXPRESS OR IMPLIED.

This Limited Warranty gives the purchaser specific legal rights; a purchaser may have other rights depending upon where he or she resides. Some states do not allow the exclusion or limitation of special, incidental or consequential damages, or state law may affect the duration of limitations, so the above exclusion and limitations may not be applicable.



## MODELO: RFA400T2

PARA CALENTADORES  
PORTÁTILES DE AIRE  
FORZADO "MANUAL DEL  
USUARIO"



C US



HOMOLOGADO POR

Antes de utilizar por primera vez este calentador, lea este MANUAL DEL USUARIO atentamente. Este MANUAL DEL USUARIO ha sido diseñado para instruirle la forma adecuada de ensamblar el calentador, brindarle mantenimiento, guardarlo y lo más importante: cómo hacerlo funcionar de manera segura y eficaz. Conserve este manual para referencia futura.

 **RESIDENTES DE CALIFORNIA SOLAMENTE-ADVERTENCIA:**

Este producto contiene sustancias químicas que incluyen ftalato de di(2-etilhexilo) (DEHP), que el estado de California reconoce como causante de cáncer y defectos de nacimiento u otros daños reproductivos. Para obtener más información, visite: [www.P65Warnings.ca.gov](http://www.P65Warnings.ca.gov)

**World Marketing of America, Inc.**  
RT.22 West, P.O. Box 192  
Mill Creek, PA 17060  
Telephone : 800-776-9425 (9AM - 4PM EST)  
[www.worldmkting.com](http://www.worldmkting.com)

WMAIRFA400\_25\_SLB





**⚠ PELIGRO:** EL USO INADECUADO DE ESTE CALENTADOR PUEDE OCASIONAR LESIONES SERIAS O LA MUERTE POR QUEMADURAS, FUEGO, EXPLOSIÓN, DESCARGA ELÉCTRICA Y/O ENVENENAMIENTO POR MONÓXIDO DE CARBONO.

**⚠ ADVERTENCIA:**

### **1. RIESGO DE CONTAMINACIÓN DE AIRE EN INTERIORES!**

- **Utilice este calentador sólo en áreas bien ventiladas.** Proporcione al menos un espacio de tres pies cuadrados (2.800 cm<sup>2</sup>) de aire puro externo por cada 100.000 BTH/h de rendimiento de salida.
- Las personas con problemas respiratorios deben consultar con un médico antes de utilizar el calentador.
- **Envenenamiento con monóxido de carbono:** Los síntomas de envenenamiento con monóxido de carbono se parecen a los de la influenza, con dolores de cabeza, mareos y/o náuseas. Si tiene estos síntomas, puede que el calentador no esté funcionando adecuadamente. **¡Trasládese al aire libre inmediatamente!** Haga revisar el calentador. A algunas personas les afecta más el monóxido de carbono que a otras. Estas incluyen las mujeres embarazadas, personas con enfermedades del corazón o los pulmones o anemia, quienes están bajo la influencia del alcohol o en lugares a gran altura.
- Nunca utilice este calentador en áreas habitables o utilizadas como dormitorio.

### **2. RIESGO DE QUEMADURAS/INCENDIO/EXPLOSIÓN**

- **NUNCA** utilice ningún otro combustible distinto del querosén 1-K, #1 / #2 Diésel / Gasolina, JET A o JP-8 funcionan en este calentador.
- **NUNCA** utilice combustibles tales como gasolina, benceno, diluyentes de pintura u otros compuestos de aceite en este calentador. **(RIESGO DE INCENDIO O EXPLOSIÓN)**
- **NUNCA** utilice este calentador donde puedan estar presentes vapores inflamables.
- **NUNCA** rellene el tanque de combustible del calentador mientras esté funcionando o esté aún caliente.

**⚠ PRECAUCIÓN:** Caliente mientras está en funcionamiento. No toque. Mantenga alejados del calentador a los niños, la ropa y los combustibles.

**Separación mínima:** Salida: 8 pies (250cm) / de los costados, parte superior y trasera: 4 pies (125cm)

- **NUNCA** bloquee la entrada de aire (trasera) ni la salida de aire (frontal) del calentador.
- **NUNCA** coloque redes de conductos al frente o detrás del calentador.
- **NUNCA** mueva, manipule, ni preste servicio a un calentador cuando esté funcionando o enchufado.
- **NUNCA** transporte el calentador con combustible en el tanque.
- Cuando se utilice con un termostato opcional o si está equipado con un termostato el calentador puede activarse en cualquier momento.
- **SIEMPRE** ubique el calentador en una superficie estable y nivelada.
- **SIEMPRE** mantenga a los niños y los animales apartados del calentador.
- El almacenaje de combustible por volumen debe estar mínimo a 25 pies (7,6 m) de los calentadores, antorchas, generadores portátiles u otras fuentes de ignición. Todo el almacenaje de combustible debe realizarse de acuerdo con las autoridades federales, estatales o locales que tengan jurisdicción.

### **3. RIESGO DE DESCARGA ELÉCTRICA!**

- Utilice únicamente la corriente eléctrica (voltaje y frecuencia) especificada en la placa del modelo del calentador.
- Utilice únicamente un tomacorriente de tres patas, con conexión a tierra y cable de extensión.
- **SIEMPRE** instale el calentador de forma que no quede directamente expuesto al rocío del agua, lluvia, goteo de agua o viento.
- **SIEMPRE** desenchufe el calentador cuando no esté en uso.

**RESIDENTES DE MASSACHUSETTS:** La ley del estado de Massachusetts prohíbe el uso de este calentador en cualquier edificio que se utilice total o parcialmente para vivienda humana. El uso de este dispositivo de calefacción en Massachusetts requiere el permiso del Dpto. de Bomberos local (M.E.L.C., sección 10A)

**RESIDENTES DE CANADÁ:** El uso de este calentador deberá conformarse con las autoridades que tengan jurisdicción y con la Norma CSA B139.

**RESIDENTES DE LA CIUDAD DE NUEVA YORK:** Para uso únicamente en las obras en construcción de conformidad con la normativa NYC aplicable bajo el certificado de aprobación NYCFD N° 5034 y 5037.



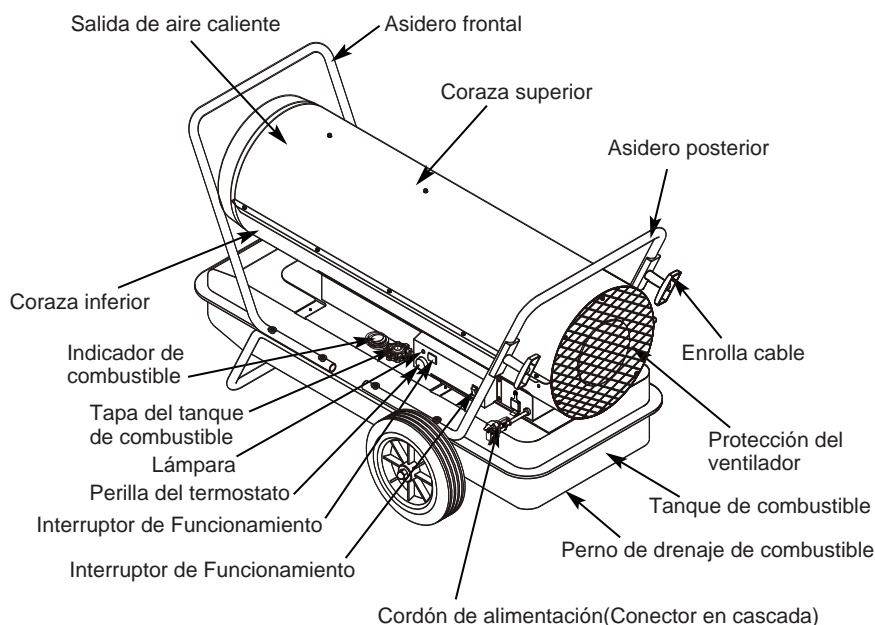
**CONTENIDO DEL MANUAL DEL USUARIO**

<u>ARTÍCULO</u>	<u>PÁGINA Nº</u>
PRECAUCIONES – GUÍA DE SEGURIDAD .....	1
1. INTRODUCCIÓN .....	2
2. CARACTERÍSTICAS .....	2
3. CÓMO DESEMPACAR Y ENSAMBLAR .....	3
4. SELECCIÓN DEL COMBUSTIBLE .....	4
5. INFORMACIÓN GENERAL SOBRE EL DISEÑO DEL CALENTADOR .....	5
6. CÓMO COLOCAR COMBUSTIBLE EN SU CALENTADOR .....	5
7. FUNCIONAMIENTO .....	6
8. ALMACENAJE DEL CALENTADOR A LARGO PLAZO .....	8
9. MANTENIMIENTO .....	9
10. REEMPLAZO DEL FUSIBLE .....	14
11. GUÍA PARA LA LOCALIZACIÓN Y SOLUCIÓN DE PROBLEMAS .....	15
12. DIAGRAMA DE CABLEADO .....	16
13. ESPECIFICACIONES .....	17
14. PLANO DE DESPIECE .....	18
15. LISTA DE PIEZAS .....	19

**1. INTRODUCCIÓN**

Lea este MANUAL DEL USUARIO atentamente. El mismo le indicará como ensamblar, brindar mantenimiento y operar el calentador de forma segura y eficaz para obtener todos los beneficios de sus diversas funciones.

**2. CARACTERÍSTICAS**



**Figura 1. MODELO DFA400T2**

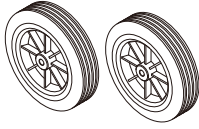
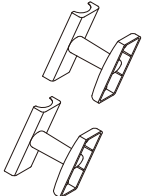
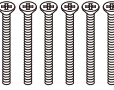
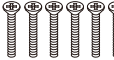






**¡NUNCA DEJE EL CALENTADOR  
DESATENDIDO CUANDO ESTÉ ENCENDIDO!**

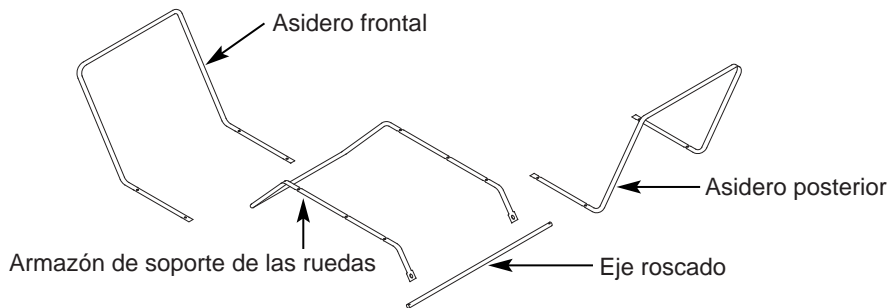


### 3. CÓMO DESEMPACAR Y ENSAMBLAR

#### 1. RETIRE EL CALENTADOR Y TODOS LOS MATERIALES DE EMPAQUE DE LA CAJA. (Fig. 2)

NOTA: Guarde esta caja y los materiales de embalaje para almacenaje futuro.

Ruedas 	Enrollas cables 	Tornillo (L) 	Tornillo (S) 	Tuerca 	Arandelas(S) 
		Tornillos de caperuza L 	Conector 	Arandelas(L) 	Tornillos de caperuza S 
No. de parte del juego de herrajes: HW-KFA1019					



**Figura 2. Identificación de los componentes**

## 2. MONTAJE

### HERRAMIENTAS NECESARIAS

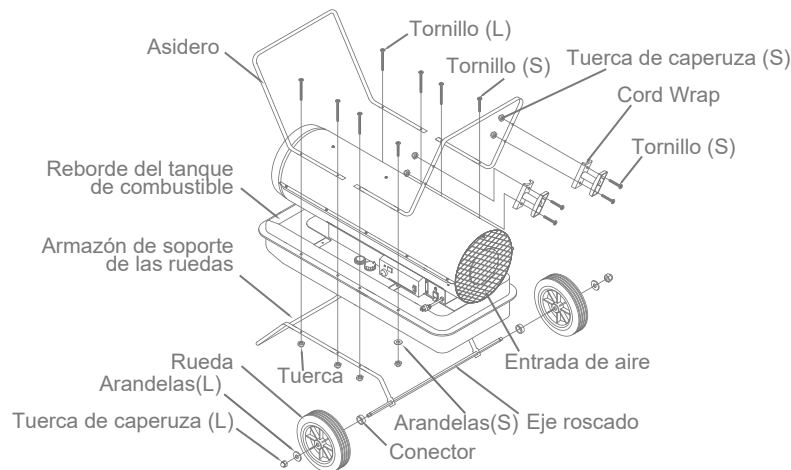
- Destornillador de estrella mediano.
- Dado de 24mm o llave inglesa.

### MONTAJE DE LAS RUEDAS Y LOS ASIDEROS Y ENROLLAS CABLES

1. Pase el eje roscado por la sección posterior del estructura de soporte de las ruedas.
2. Deslice un conector de eje en cada lado del eje. Deslice una rueda en cada lado del eje. Inserte las arandelas (L) en cada lado del eje roscado y apriete la tuerca ciega.
3. Coloque el calentador en el armazón de soporte de las ruedas. Asegúrese que el extremo de la entrada de aire (parte posterior) del calentador esté situado sobre las ruedas. Alinee los agujeros en el reborde del tanque de combustible. Inserte los tornillos(L) a través de los asideros (frontal y posterior), el reborde del tanque de combustible y el armazón de soporte de las ruedas. Inserte los tornillos(C) a través de los asideros posterior el reborde del tanque de combustible y el arandelas planas(C) como se muestra en la Figura 3, e instale las tuercas, apretando éstas con los dedos, después de insertar cada tornillo.
4. Después de insertar todos los tornillos, apriete firmemente todas las tuercas.
5. Alinee el agujero en el asidero posterior con el agujero de montaje en el enrolla cable.
6. Inserte los tornillos a través del enrolla cable y el asidero posterior como se muestra en la Figura 3, e instale las tuercas, apretando éstas con los dedos, después de insertar cada tornillo.
7. Después de insertar todos los tornillos, apriete firmemente todas las tuercas.

**⚠ PRECAUCIÓN:** No use el calentador sin el armazón de soporte completamente montado en el tanque.

**¡NUNCA DEJE EL CALENTADOR  
DESATENDIDO CUANDO ESTÉ ENCENDIDO!**



**Figura 3. Montaje de las Ruedas y los Asideros**

**▲ PRECAUCIÓN:** NO OPERE el calentador sin la estructura de soporte ensamblada al tanque.

**NOTA:** El calentador debe inspeccionarse antes de cada uso y al menos anualmente por un técnico de servicio calificado.

#### **4. SELECCIÓN DEL COMBUSTIBLE:**

1. Todos los modelos pueden usar 7 combustibles diferentes: kerosén 1-K, fueloil n.º 1 diesel n.º 1, fueloil n.º 2, diesel n.º 2, JET A, JP-8
2. El kerosén 1-K se recomienda para una combustión y rendimiento óptimos, y para menos mantenimiento. El K1 también es la opción de combustible óptima en temperaturas extremadamente bajas de 15 °F o menos, ya que su punto de fluidez/"punto de gel" varía dependiendo de la refinería, pero siempre está muy por debajo de las temperaturas más bajas alcanzadas en Norteamérica
3. El JET A y el JP-8 también son excelentes opciones para una combustión limpia, mantenimiento reducido y temperaturas por debajo de 15 °F, pero rara vez se encuentran fuera de la industria de la aviación o militar.
4. El fueloil n.º 1, diesel n.º 2, fueloil n.º 2 y diesel n.º 2 son seleccionados con más frecuencia debido a su disponibilidad. Sin embargo, el usuario debe comprender que el fueloil y el diesel son menos refinados y, por lo tanto, el usuario debe tener en cuenta lo siguiente:
  - a. El diesel n.º 1 y el fueloil n.º 1 aumentarán un poco el humo/tizne durante el encendido, aumentarán el olor y aumentarán la limpieza/mantenimiento regular.
  - b. El diesel n.º 2 y el fueloil n.º 2, por lo general, y dependiendo de la refinería regional, generarán un humo más contaminante que los combustibles n.º 1. El uso de combustibles n.º 2 dará como resultado un poco más de humo/tizne durante el encendido y un mayor aumento en el olor, y requerirá una limpieza/mantenimiento más regular que los combustibles n.º 1.
  - c. A temperaturas inferiores a 15 °F, la mayoría de las mezclas de diesel y fueloil se volverán más viscosas (comienzan a "gelificarse") a medida que la temperatura del diesel cae por debajo de su punto de fluidez (comienza a "gelificarse") y pueden generar dificultades para encender el calefactor y su funcionamiento. Existen pasos de solución de problemas para esta situación, pero se recomienda seleccionar K1 (o JP-8/JET A) cuando se trabaja a menos de 15 °F. Entre más frías sean las temperaturas, más probabilidades hay de que experimente problemas cuando el combustible se gelifique.
  - d. La gelificación del combustible diesel ocurre cuando la parafina, generalmente presente en el diesel, comienza a solidificarse cuando la temperatura desciende. A 32 °F, la cera en forma líquida se cristalizará y dejará el combustible turbio; esto puede comenzar a afectar el filtro del combustible y la boquilla. Si la boquilla comienza a recubrirse, el patrón de rociado no será correcto, lo que puede causar humo blanco y problemas de rendimiento.

**EL KEROSÉN DEBE ALMACENARSE ÚNICAMENTE EN UN ENVASE AZUL QUE ESTÉ CLARAMENTE IDENTIFICADO "QUEROSÉN". NUNCA ALMACENE EL QUEROSÉN EN UN ENVASE ROJO.**

Los envases rojos se asocian con gasolina.

**NUNCA** almacene el querosén en un espacio habitable. El querosén debe almacenarse en un sitio bien ventilado fuera del área habitable.

**NUNCA** utilice un combustible distinto del querosén 1-K (#1 / #2 Diesel / Gasolina, JET A o JP-8 son sustitutos aceptables)

**NUNCA** utilice combustibles como gasolina, benceno, alcohol, gas blanco, combustible para estufa portátil para campamento, diluyentes de pintura u otros compuestos de aceite en este calentador. Estos son combustibles volátiles que pueden causar una explosión o llamas incontroladas.

**NUNCA** almacene querosén en luz directa del sol ni cerca de una fuente de calor.

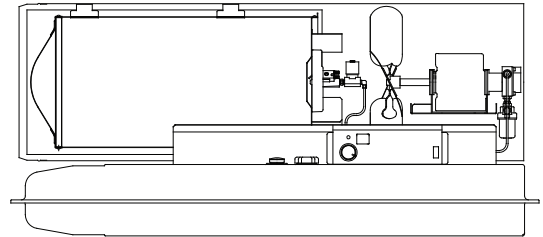
**NUNCA** use querosén que haya sido almacenado de una estación a otra. El querosén se deteriora con el tiempo.

**EL "QUEROSÉN VIEJO" NO QUEMA ADECUADAMENTE EN ESTE CALENTADOR.**

**¡NUNCA DEJE EL CALENTADOR  
DESATENDIDO CUANDO ESTÉ ENCENDIDO!**

## **5. INFORMACIÓN GENERAL SOBRE EL DISEÑO DEL CALENTADOR**

**Sistema de combustible :** Este calentador está equipado con un equipo de bomba de combustible que succiona el combustible a través de la línea de combustible que está conectada al tanque de combustible y luego fuerza el combustible a través de un filtro y una válvula de solenoide y lo expulsa a través de la boquilla del cabezal del quemador. Este combustible es rociado hacia el interior de la cámara de combustión como una fina llovizna.



**“Encendido seguro”:** El encendedor electrónico envía voltaje a una bujía especialmente diseñada. La bujía enciende el combustible y la mezcla de aire indicadas.

**El sistema de aire :** El motor para trabajo pesado enciende un ventilador que fuerza el aire dentro y alrededor de la cámara de combustión. Aquí el aire se calienta y luego se fuerza a salir al frente del calentador.

### **El sistema de seguridad:**

**A. Control de límite de temperatura:** Este calentador viene equipado con un control de límite de temperatura diseñado para apagar el calentador si la temperatura interna se eleva a un nivel inseguro. Si este dispositivo se activa y apaga el calentador, es posible que requiera servicio.

Apagado interno por temp. Más/Menos 10 grados	Temperatura de reinicio Más/Menos 10 grados
176°F/80°C	122°F/50°C

**B. Protección del sistema eléctrico:** El sistema eléctrico de este calentador está protegido por un fusible montado en el ensamble PCB que lo protege a él, así como a otros componentes eléctricos de sufrir daños. Si su calentador no funciona revise este fusible primero y reemplácelo según sea necesario.

<b>TIPO DE FUSIBLE :</b>	250 voltios / 20 amps
--------------------------	-----------------------

**C. Sensor de llama apagada:** Utiliza una fotocelda para monitorizar la llama en la cámara de combustión durante el funcionamiento normal. Hace que el calentador se apague si la llama del quemador se extingue.

## **6. CÓMO COLOCAR COMBUSTIBLE EN SU CALENTADOR**

**NUNCA LLENE EL TANQUE DE COMBUSTIBLE DEL CALENTADOR EN EL ESPACIO**

**HABITABLE: LLENE EL TANQUE EN EXTERIORES.**

**NO LLENE EXCESIVAMENTE EL CALENTADOR Y CERCÍORSE DE QUE ESTÉ NIVELADO.**

**AVISO IMPORTANTE RELACIONADO CON EL PRIMER ENCENDIDO DEL CALENTADOR:**

La primera vez que encienda el calentador, debe hacerlo en exteriores. Esto permite que los aceites, etc. que se utilizan en la fabricación del calentador se quemen fuera.

**⚠ ¡¡ADVERTENCIA!! : NUNCA RELLENE EL TANQUE DE COMBUSTIBLE DEL CALENTADOR CUANDO ESTÉ EN FUNCIONAMIENTO O CALIENTE.**

**¡NUNCA DEJE EL CALENTADOR  
DESATENDIDO CUANDO ESTÉ ENCENDIDO!**

## **7. FUNCIONAMIENTO**

### **A.) VENTILACIÓN**

#### RIESGO DE CONTAMINACIÓN DE AIRE EN INTERIORES/UTILICE EL CALENTADOR SÓLO EN ÁREAS BIEN VENTILADAS

Proporcione al menos un espacio de tres pies cuadrados (2.800 cm<sup>2</sup>) de aire puro externo por cada 100.000 BTU/h de rendimiento de salida.

### **B.) OPERACIÓN**

#### PARA ENCENDER EL CALENTADOR

1. Llenar tanque con combustible

NOTA: Se recomienda usar kerosene cuando la temperatura esté bajo 0°F (-18°C) para prevenir falla o retraso al encender.

2. Coloque la tapa del combustible.

3. Enchufe el cable de alimentación del calentador en un cable de extensión de tres patas, con conexión a tierra. El cable de extensión deberá tener al menos seis pies (1,8m) de largo.

#### **Requisitos de tamaño del cable de extensión.**

- 1.8 a 30.5 metros (6 a 100 pies) de largo, utilice un conductor 14 AWG.
- 30.8 a 61.0 metros (101 a 200 pies) de largo, utilice un conductor 12 AWG.
- 61.3 a 91.4 metros (201 a 300 pies) de largo, utilice un conductor 10 AWG.
- 91.7 a 121.9 metros (301 a 400 pies) de largo, utilice un conductor 8 AWG.
- 122.2 a 152.4 metros (401 a 500 pies) de largo, utilice un conductor 6 AWG.

4. Gire la "Perilla de Control del Termostato" a la posición deseada (rango de ajuste: 40°F ~ 110°F) y empuje el interruptor de funcionamiento a la posición de "ON", la luz de la lámpara indicará la potencia y temperatura de la habitación. Se iluminará y el calentador se iniciará.

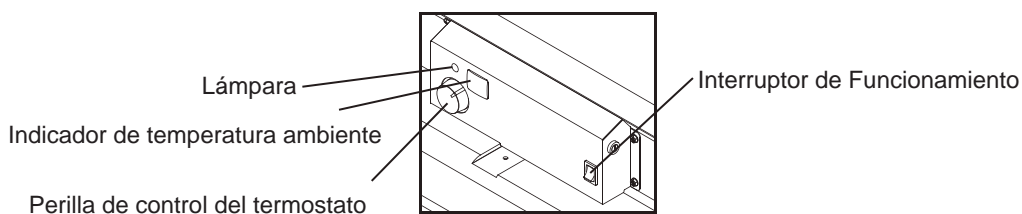
**NOTA: El indicador de temperatura ambiente muestra lo siguiente:**

- **Cuando la temperatura ambiente es inferior a -18°C (0°F): "Lo" (baja).**
- **Cuando la temperatura ambiente está entre -18°C y 37°C (0°F y 99°F): Indica temperaturas ambientes.**
- **Cuando la temperatura ambiente es superior a 37°C (99°F): "HI" (alta).**

Si el calentador no arranca, la configuración del termostato puede estar demasiado baja. Gire la perilla de "CONTROL DEL TERMOSTATO" a una posición más alta para arrancar el calentador.

Si el calentador sigue sin arrancar, gire el interruptor de operación a "OFF" y luego a la posición "ON". (Figura 4)

Si aún así el calentador no arranca, refiérase a la Guía de localización de fallas en la página 13.



**Figura 4. Partes de Control**

**AVISO: Los principales componentes eléctricos de este calentador están protegidos por un fusible de seguridad montado en el tablero PCB. Si su calentador no funciona revise este fusible primero y reemplácelo según sea necesario. También debe revisar el suministro de electricidad para cerciorarse de que se utilice el voltaje y la frecuencia adecuados para el calentador.**

## **¡NUNCA DEJE EL CALENTADOR DESATENDIDO CUANDO ESTÉ ENCENDIDO!**

### **PARA APAGAR EL CALENTADOR**

#### **⚠ PRECAUCION : Nunca desenchufe el caleador mientras esté funcionando.**

El calentador debe pasar por un ciclo de enfriamiento. El ciclo de enfriamiento enfría la cámara de combustión. El calentador se puede dañar si la cámara de combustión no se enfría. No encienda nuevamente el calentador hasta que haya finalizado el ciclo de enfriamiento.

1. Gire el interruptor de operación a "OFF".  
Esto causará que la llama del calentador se apague. El motor continuará funcionando durante el ciclo de enfriamiento. (Temperatura de la Habitación. La pantalla mostrará "CC" durante el ciclo de enfriamiento) Esto permite que el ventilador pueda enfriar la cámara de combustión. Cuando el ciclo de enfriamiento (aprox. 1 min.) finaliza, el motor se detiene. No desconecte el calentador hasta el ciclo de enfriamiento ha terminado
2. Desconecte el cable de Fuerza.
3. Para detener temporalmente el calentador, ajuste el termostato a una temperatura más baja que la del aire alrededor del calentador. El calentador se volverá a encender si la temperatura del aire alrededor del calentador es igual a la temperatura de ajuste del termostato.

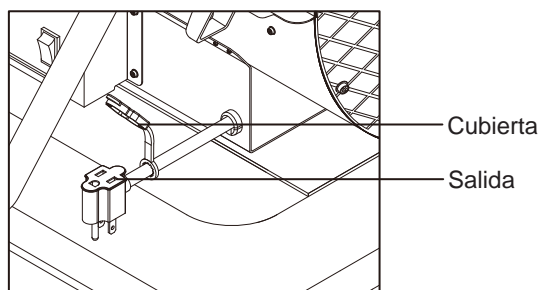
### **PARA VOLVER A ENCENDER EL CALENTADOR**

#### **⚠ PRECAUCION : No encienda nuevamente el calentador hasta que haya finalizado el ciclo de enfriamiento.**

El ciclo de enfriamiento enfría la cámara de combustión.

1. Espere hasta que el ciclo de enfriamiento finalice después de detener el calentador.
2. Repita los pasos bajo PARA ENCENDER EL CALENTADOR.

### **CABLE DE ALIMENTACIÓN CON CONECTOR EN CASCADA**



**Figura 5. Cable de alimentación con conector en cascada**

#### **⚠ ADVERTENCIA : ¡PELIGRO DE DESCARGA ELECTRICA!**

- Siempre mantenga cubierto el tomacorriente cuando no se utilice. Consulte la Figura 5.
- No enchufe ni utilice un aparato eléctrico de más de 5 amperios de corriente en esta toma de corriente.

**¡NUNCA DEJE EL CALENTADOR  
DESATENDIDO CUANDO ESTÉ ENCENDIDO!**

## **8. ALMACENAMIENTO DEL CALENTADOR A LARGO PLAZO**

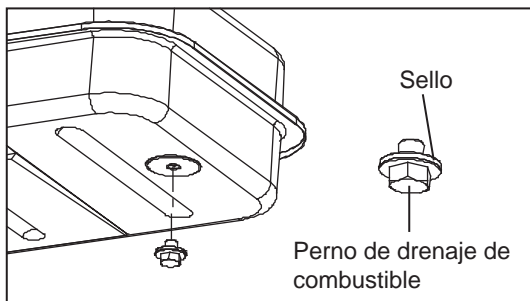
1. Retire el perno de drenaje de combustible del costado inferior posterior del tanque de combustible usando un dado de 3/4" o una llave inglesa y drene.
2. Con una pequeña cantidad de querosén, limpie con un movimiento circular la parte interna del tanque.

**NUNCA mezcle agua con el querosén** porque se formará óxido dentro del tanque.

Deseche el querosén cerciorándose de que lo retira completamente.

**IMPORTANTE :** No guarde el querosén en los meses de verano para utilizarlo durante la próxima estación invernal. El uso de combustible viejo podría dañar el calentador.

3. Reinstale el perno de drenaje de combustible en el tanque de combustible y presione firmemente usando un dado de 3/4" o una llave inglesa.



**Figura 6. Perno de drenaje de combustible**

**IMPORTANTE :** Antes de reinstalar el perno de drenaje de combustible, asegúrese de que el sello esté en el perno. Si no se usa el sello, el perno no se instalará correctamente y el tanque de combustible tendrá fugas.

4. Guarde el calentador en un área seca bien ventilada. Cerciérese de que el lugar de almacenaje no tenga polvo ni emanaciones corrosivas.
5. Guarde el calentador en la caja original con el material de empaque original y conserve el MANUAL DEL USUARIO con el calentador.



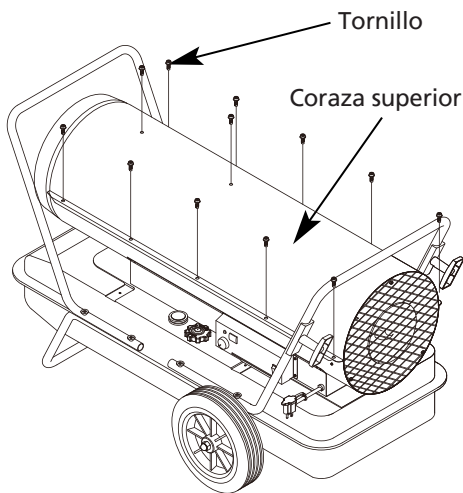
**¡NUNCA DEJE EL CALENTADOR  
DESATENDIDO CUANDO ESTÉ ENCENDIDO!**

## **9. MANTENIMIENTO**

**ADVERTENCIA!! : NUNCA PRESTE SERVICIO AL CALENTADOR  
MIENTRAS ESTA ENCHUFADO O CALIENTE!**

**UTILICE LAS PIEZAS DE REPUESTO ORIGINALES DEL EQUIPO.  
El uso de componentes de terceros o alternos anulará la garantía y puede  
ocasionar condiciones inseguras de funcionamiento.**

### **A.) DESMONTAJE DE LA CORAZA SUPERIOR**

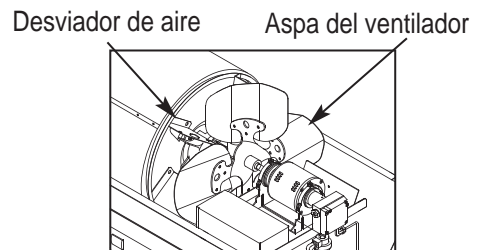


- Extraiga los tornillos a lo largo de cada lado y de la parte superior del calentador usando un destornillador Phillips mediano.

**Figura 7. Desmontaje de la Coraza Superior**

### **B.) ASPA DEL VENTILADOR Y DESVIADOR DE AIRE LIMPIE CADA TEMPORADA O SEGUN SEA NECESARIO.**

- Desmonte la coraza superior.
- Limpie el aspa del ventilador y los desviadores de aire usando un trapo suave humedecido con keroseno o solvente.
- Seque completamente el aspa del ventilador y los desviadores de aire.
- Vuelva a instalar la coraza superior.



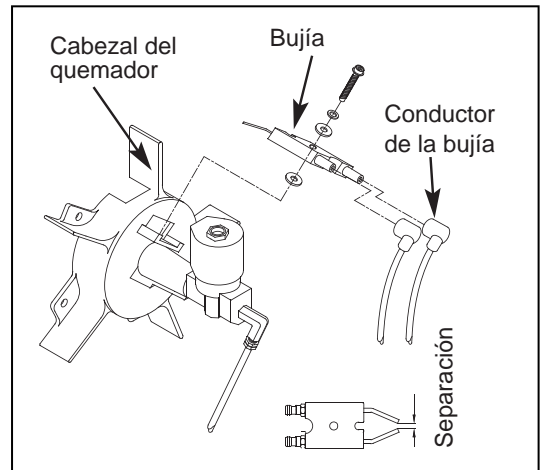
**Figura 8. Aspa del Ventilador y  
Desviadores de Aire**

**¡NUNCA DEJE EL CALENTADOR  
DESATENDIDO CUANDO ESTÉ ENCENDIDO!**

### C.) BUJIA

LIMPIE Y REAJUSTE LA SEPARACION ENTRE LOS ELECTRODOS DE LA BUJIA DESPUES DE CADA 600 HORAS DE FUNCIONAMIENTO O REEMPLACE LA BUJIA SEGUN SEA NECESARIO.

- Desmonte la coraza superior.
- Desconecte el conductor de la bujía de la bujía (consulte la Figura 9).
- Retire la bujía del cabezal del quemador usando el destornillador Phillips mediano.
- Limpie y reajuste la separación entre los electrodos de la bujía a 3.5 mm (0.140 pulg.) de separación.
- Vuelva a instalar la bujía en el cabezal del quemador.
- Reconecte el conductor de la bujía en la bujía.
- Vuelva a instalar la coraza superior.

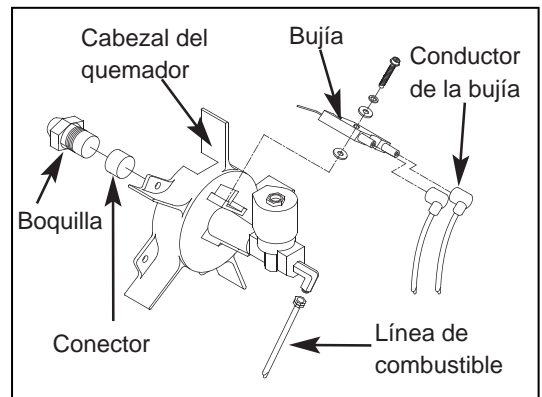


**Figura 9. Bujía**

### D.) BOQUILLA

LIMPIE LA SUCIEDAD DE LA BOQUILLA SEGUN SEA NECESARIO.

- Desmonte la coraza superior.
- Desconecte la línea de combustible de la válvula de solenoide usando una llave de 1/4 pulg.
- Desconecte el conductor de la bujía de la bujía.
- Retire la bujía del cabezal del quemador usando el destornillador Phillips mediano.
- Extraiga cinco tornillos usando el destornillador Phillips mediano y retire el cabezal del quemador de la cámara de combustión.
- Retire cuidadosamente la boquilla del cabezal del quemador usando una llave de cubo de 5/8 pulg.
- Sople aire comprimido a través de la cara de la boquilla (esto eliminará toda la suciedad).
- Inspeccione la boquilla para ver si está dañada. Si está dañada u obstruida, reemplace la boquilla.
- Asegúrese que el conector esté colocado en el cabezal del quemador.
- Vuelva a instalar la boquilla en el cabezal del quemador y apriétela firmemente (19.8 a 22.6 N•m).
- Vuelva a instalar la bujía en el cabezal del quemador.
- Instale el cabezal del quemador en la cámara de combustión.
- Reconecte el conductor de la bujía en la bujía.
- Conecte la línea de combustible en la válvula de solenoide. Apriétela firmemente.
- Vuelva a instalar la coraza superior.



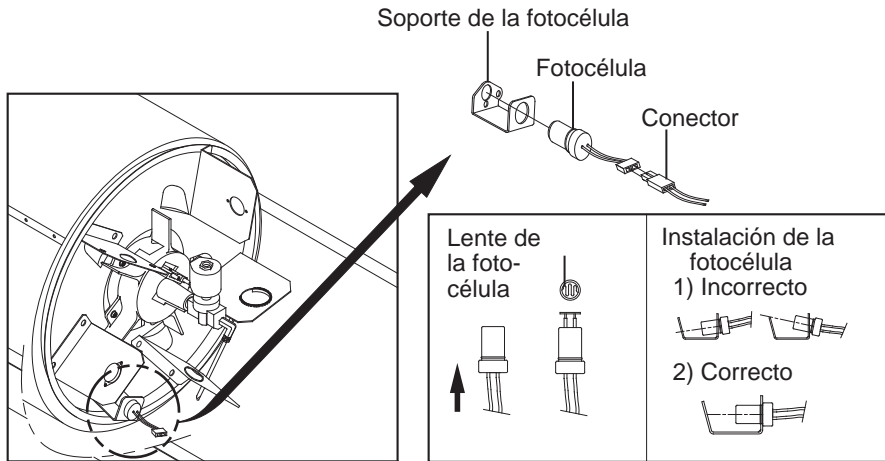
**Figura 10. Boquilla**

**¡NUNCA DEJE EL CALENTADOR  
DESATENDIDO CUANDO ESTÉ ENCENDIDO!**

### E.) FOTOCELULA

LIMPIE LA FOTOCELULA ANUALMENTE  
O SEGUN SEA NECESARIO.

- Desmonte la coraza superior (consulte la página 9).
- Retire la fotocélula del soporte de la fotocélula y desconéctela del conector.
- Limpie la lente de la fotocélula con un hisopo de algodón.
- Inspeccione la fotocélula para ver si está dañada. Reemplace la fotocélula si está dañada.

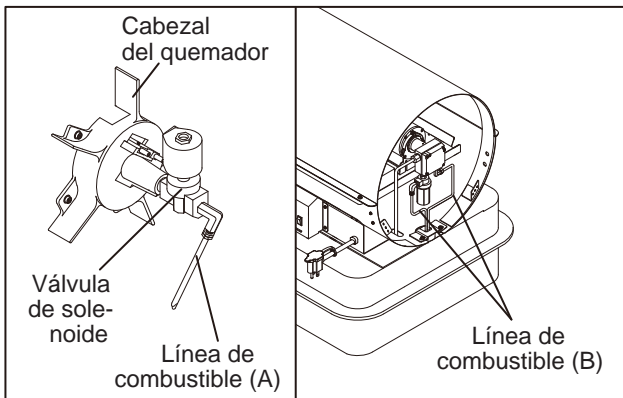


**Figura 11. Limpieza de la Lente de la Fotocélula**

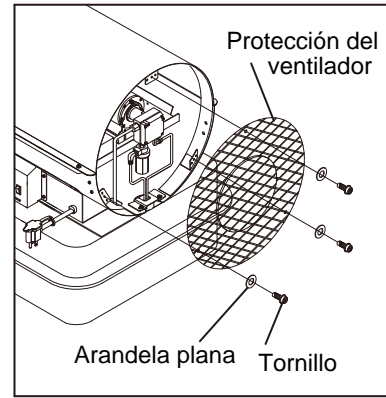
### F.) LINEAS DE COMBUSTIBLE

APRIETE LAS LINEAS DE COMBUSTIBLE ANUALMENTE O SEGUN SEA NECESARIO.

- Desmonte la coraza superior (consulte la página 9).
- Use una llave de 1/4 pulg. y apriete la línea de combustible (A) en la válvula de solenoide y en la bomba (consulte la Figura 12).
- Retire la protección del ventilador(consulte la Figura 13).
- Use una llave de 3/8 pulg. y apriete la línea de combustible (B) en la bomba y en el conjunto del filtro de combustible de la bomba.
- Vuelva a instalar la protección del ventilador.



**Figura 12. Apriete la Línea de Combustible**



**Figura 13. Desmontaje de la Protección del Ventilador**

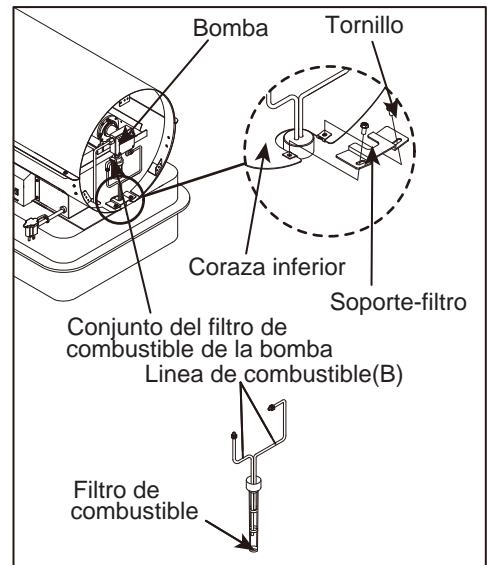
**¡NUNCA DEJE EL CALENTADOR  
DESATENDIDO CUANDO ESTÉ ENCENDIDO!**

## G.) FILTRO DE COMBUSTIBLE

LIMPIE DOS VECES POR CADA TEMPORADA DE CALEFACCION O SEGUN SEA NECESARIO.

### • Filtro de combustible del tanque

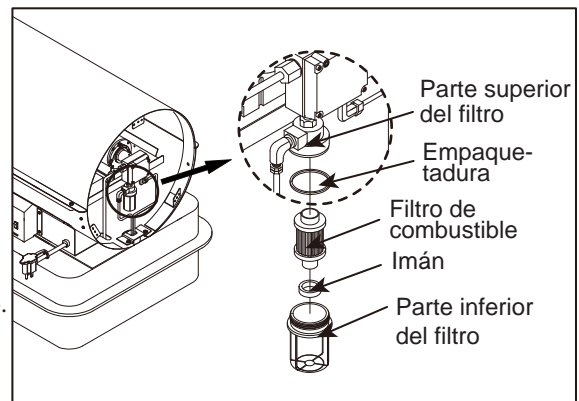
- Retire la protección del ventilador (consulte la Página 11).
- Desconecte la línea de combustible (B) de la bomba y del conjunto del filtro de combustible de la bomba usando una llave de 3/8 pulg. (consulte la Figura 14).
- Retire los dos tornillos que fijan el conjunto soporte-filtro a la caparazón inferior y remueva el soporte-filtro.
- Palanquee y afloje cuidadosamente el filtro de combustible del tanque de combustible con la punta plana de un destornillador.
- Lave las líneas de combustible y el filtro de combustible con keroseno limpio.
- Vuelva a instalar el filtro de combustible en el tanque de combustible.
- Reemplace el soporte-filtro de la caparazón inferior.
- Conecte la línea de combustible (B) en la bomba y en el conjunto del filtro de combustible de la bomba.
- Vuelva a instalar la protección del ventilador.



**Figura 14. Desmontaje del Filtro de Combustible del Tanque**

### • Filtro de combustible de la bomba

- Retire la protección del ventilador (consulte la Página 11).
- Desatornille la parte inferior del filtro de la parte superior del mismo, girándola hacia la derecha con alicatesajustables.
- Retire el filtro de combustible, la empaquetadura y el imán de la parte inferior del filtro (consulte la Figura 15).
- Lave la parte inferior del filtro con keroseno limpio.
- Seque el lado interior de la parte inferior del filtro con un trapo limpio.
- Lave el filtro de combustible con keroseno limpio.
- Limpie la suciedad que se haya acumulado en el imán.
- Vuelva a instalar el imán, el filtro de combustible y la empaquetadura en la parte inferior del filtro.
- Apriételos firmemente.

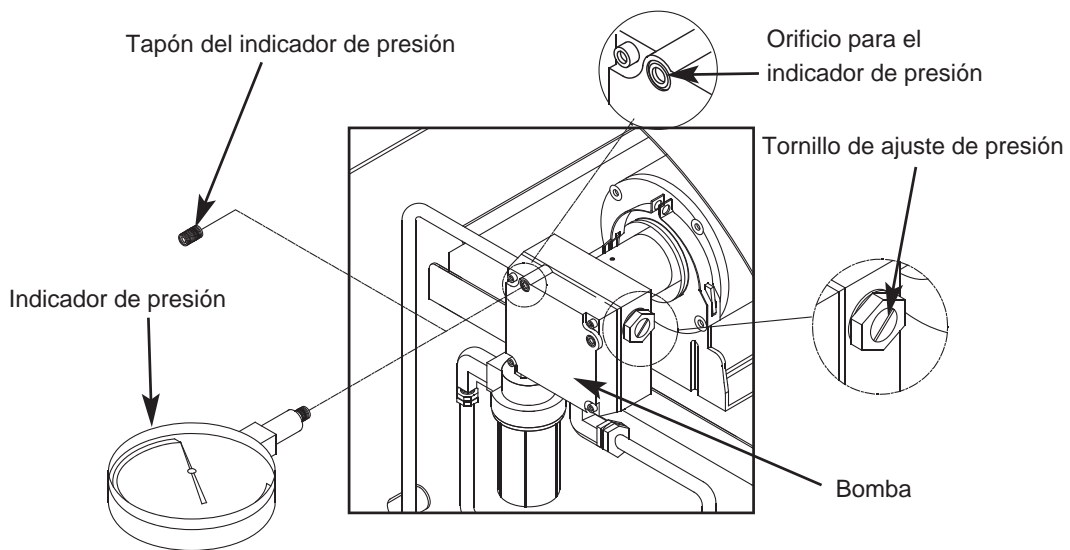


**Figura 15. Filtro de la Bomba de Combustible**

**¡NUNCA DEJE EL CALENTADOR  
DESATENDIDO CUANDO ESTÉ ENCENDIDO!**

## H.) AJUSTE DE LA PRESION DE LA BOMBA

- Retire el tapón del indicador de presión de la bomba con una llave Allen de 1/8 pulg.
- Instale un indicador de presión auxiliar en el orificio para el indicador de presión (consulte la Figura 16).
- Encienda el calentador (consulte la sección “Operación”, en la página 6).  
Permita que el motor alcance su plena velocidad.
- Ajuste la presión (usando un destornillador de punta plana pequeño).  
Gire el tornillo de ajuste de presión hacia la derecha para aumentar la presión.  
Gire el tornillo hacia la izquierda para disminuir la presión.
- Ajuste la presión de la bomba a 861.9 kPa.
- Apague el calentador (consulte la sección “Operación”, en la página 6).
- Retire el indicador de presión. Vuelva a instalar el tapón del indicador de presión en el orificio para el indicador de presión.



**Figura 16. Ajuste de la Presión de la Bomba**

**AVISO:** Utilice únicamente piezas de repuesto auténticas para el equipo.  
El uso de componentes alternativos o de terceros anulará la garantía y podría causar una condición peligrosa de funcionamiento.

**¡NUNCA DEJE EL CALENTADOR  
DESATENDIDO CUANDO ESTÉ ENCENDIDO!**

## **10. REEMPLAZO DEL FUSIBLE**

**AVISO:** El fusible de este calentador está protegido.

Si su calentador no enciende, **NO LO DEVUELVA A LA TIENDA.**

Siga estas sencillas instrucciones para inspeccionar y cambiar el fusible.

### **PROCEDIMIENTO PARA CAMBIAR EL FUSIBLE**

#### **⚠ ADVERTENCIA: RIESGO DE DESCARGA ELÉCTRICA**

**Para evitar lesiones personales, desenchufe el cable de alimentación antes de cambiar el fusible.**

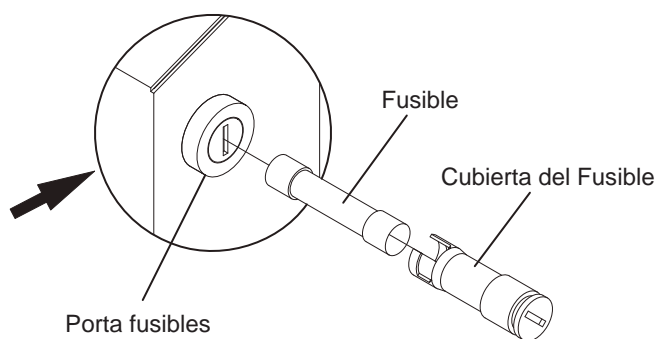
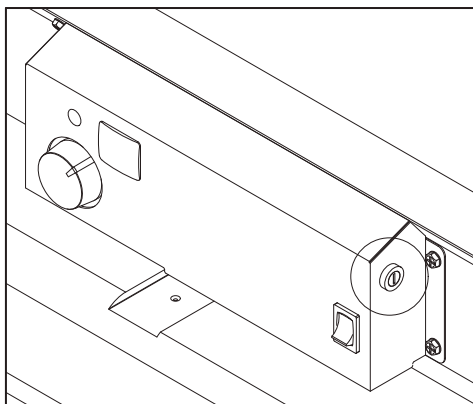
1. Desconecte el calentador.
2. Gire a la **IZQUIERDA** la Cubierta del fusible de 45° usando un destornillador de punta plana y retire el fusible del porta fusibles.
3. Reemplace el fusible.

#### **⚠ ADVERTENCIA: RIESGO DE INCENDIO**

**Para evitar incendios, no sustituya por uno de mayor o menor capacidad.**

4. Gire a la derecha la Cubierta del fusible 45° usando un destornillador de punta plana, mientras que presiona ligeramente.

**NOTA: Capacidad especificada  
del fusible: AC 250/20A**



**Figure 17. Cambio del fusible**

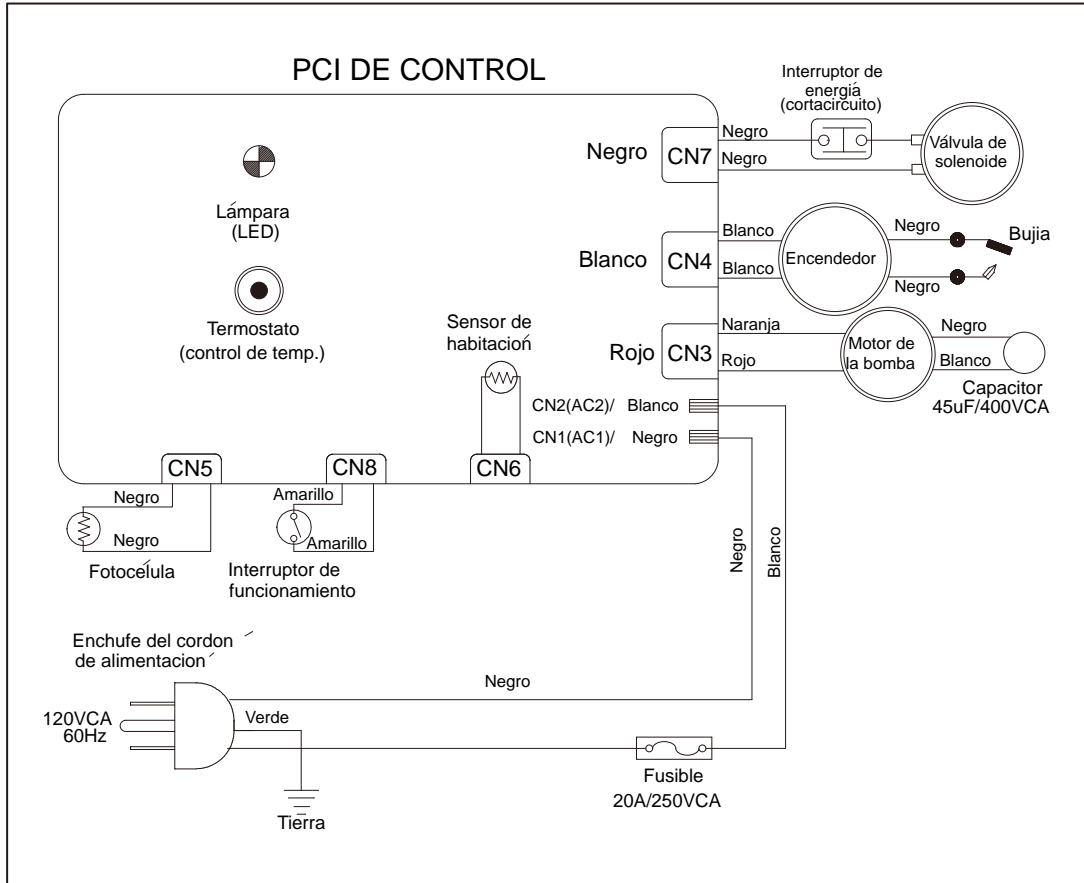
**¡NUNCA DEJE EL CALENTADOR  
DESATENDIDO CUANDO ESTÉ ENCENDIDO!**

## **11. GUÍA PARA LA LOCALIZACIÓN Y SOLUCIÓN DE PROBLEMAS**

<b>PROBLEMA</b>	<b>POSIBLE CAUSA</b>	<b>ACCIÓN CORRECTIVA</b>
<b>El calentador enciende pero el Conjunto de la placa de circuitos impresos principal apaga el calentador después de un corto período de tiempo (la lámpara de indicación parpadea y el indicador de temperatura ambiente muestra "E1")</b>	<ol style="list-style-type: none"> <li>1.Presión de bomba incorrecta</li> <li>2.Filtro de combustible sucio</li> <li>3.Boquilla sucia</li> <li>4.La lente de la fotocélula está sucia</li> <li>5.El conjunto de la fotocélula está mal instalado (no ve la llama)</li> <li>6.Mala conexión eléctrica entre la fotocélula y el Conjunto de la placa de circuitos impresos principal</li> <li>7.Fotocélula defectuosa</li> <li>8.Límite de temperatura del dispositivo de seguridad de sobrecalentado</li> </ol>	<ol style="list-style-type: none"> <li>1.Consulte la sección Ajuste de la presión de la bomba, en la página 13</li> <li>2.Consulte la sección Filtro de combustible, en la página 12</li> <li>3.Consulte la sección Boquilla, en la página 10</li> <li>4.Limpie la lente de la fotocélula, página 11</li> <li>5.Asegúrese que la bota de la fotocélula esté correctamente asentada en el soporte (Consulte la página 11)</li> <li>6.Revise los componentes eléctricos, consulte el diagrama eléctrico, en la página 15</li> <li>7.Reemplace la fotocélula, página 11</li> <li>8.Gire el interruptor de operación a "OFF" y deje que se enfríe (aproximadamente 10 min.). A continuación, gire el interruptor de funcionamiento a posición "ON".</li> </ol>
<b>El calentador no enciende, pero el motor funciona durante un corto período de tiempo (la lámpara de indicación parpadea y el indicador de temperatura ambiente muestra "E1")</b>	<ol style="list-style-type: none"> <li>1.No hay combustible en el tanque</li> <li>2.Presión de bomba incorrecta</li> <li>3.Hay acumulaciones de carbono en la bujía y/o la separación de los electrodos de la bujía es incorrecta</li> <li>4.Filtro de combustible sucio</li> <li>5.Boquilla sucia</li> <li>6.Hay agua en el tanque de combustible</li> <li>7.Mala conexión eléctrica entre el encendedor y el Conjunto de la placa de circuitos impresos principal</li> <li>8.El conductor del encendedor no está conectado a la bujía</li> <li>9.Encendedor defectuoso</li> <li>10.Válvula de solenoide defectuosa (no abre)</li> </ol>	<ol style="list-style-type: none"> <li>1.Llene el tanque con keroseno</li> <li>2.Consulte la sección Ajuste de la presión de la bomba, en la página 13</li> <li>3.Consulte la sección Bujía, en la página 10</li> <li>4.Consulte la sección Filtro de combustible, en la página 12</li> <li>5.Consulte la sección Boquilla, en la página 10</li> <li>6.Lave el tanque de combustible con keroseno limpio, página 9</li> <li>7.Revise las conexiones eléctricas, consulte el diagrama eléctrico, en la página 15</li> <li>8.Conecte el conductor del encendedor en la bujía. Consulte la sección Bujía, en la página 10</li> <li>9.Reemplace el encendedor</li> <li>10.Revise las conexiones eléctricas y el voltaje para la válvula de solenoide. Si está defectuosa, reemplace la válvula de solenoide</li> </ol>
<b>El ventilador no funciona cuando el calentador está enchufado y el interruptor de energía está en la posición ON (encendido) (la lámpara de indicación está encendida o parpadea)</b>	<ol style="list-style-type: none"> <li>1.Ajuste del termostato demasiado bajo</li> <li>2.Mala conexión eléctrica entre el motor y el Conjunto de la placa de circuitos impresos principal</li> </ol>	<ol style="list-style-type: none"> <li>1.Gire la perilla de control del termostato a una temperatura más alta</li> <li>2.Revise las conexiones eléctricas, consulte el diagrama eléctrico, en la página 15</li> </ol>
<b>La bombilla indicadora titila y el visualizador de temperatura de la habitación indica "E2".</b>	<ol style="list-style-type: none"> <li>1.Fallo del sensor</li> </ol>	<ol style="list-style-type: none"> <li>1.Reemplace el sensor, consulte el diagrama eléctrico en la página 15</li> </ol>
<b>(La bombilla indicadora titila y el visualizador de temperatura de la habitación indica "E3".</b>	<ol style="list-style-type: none"> <li>1.Fallo del interruptor del termostato</li> </ol>	<ol style="list-style-type: none"> <li>1.Reemplace el interruptor del termostato, consulte el diagrama eléctrico en la página 15</li> </ol>
<b>El calentador no se enciende. (la bombilla indicadora está apagada)</b>	<ol style="list-style-type: none"> <li>1.No hay energía eléctrica</li> <li>2.Fusible quemado</li> </ol>	<ol style="list-style-type: none"> <li>1.Verifique que el cordón del calentador y el cordón de extensión estén enchufados. Verifique el suministro eléctrico</li> <li>2.Reemplace el fusible de seguridad en la pantalla de la cubierta.</li> </ol>

**¡NUNCA DEJE EL CALENTADOR  
DESATENDIDO CUANDO ESTÉ ENCENDIDO!**

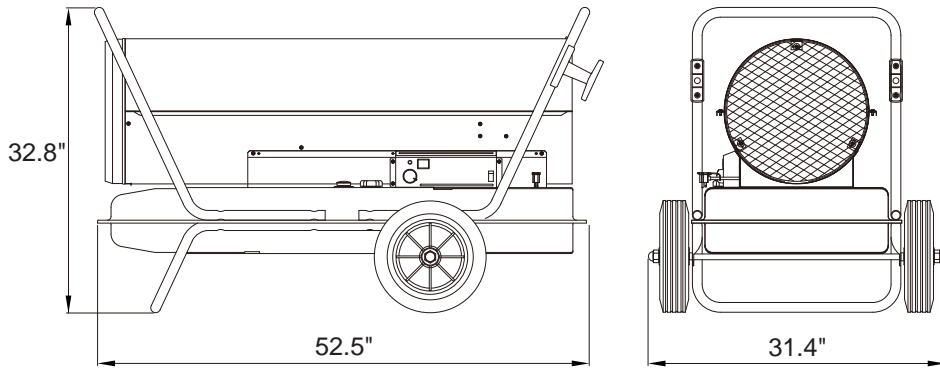
## 12. DIAGRAMA DE CABLEADO





**¡NUNCA DEJE EL CALENTADOR  
DESATENDIDO CUANDO ESTÉ ENCENDIDO!**

### **13. ESPECIFICACIONES**



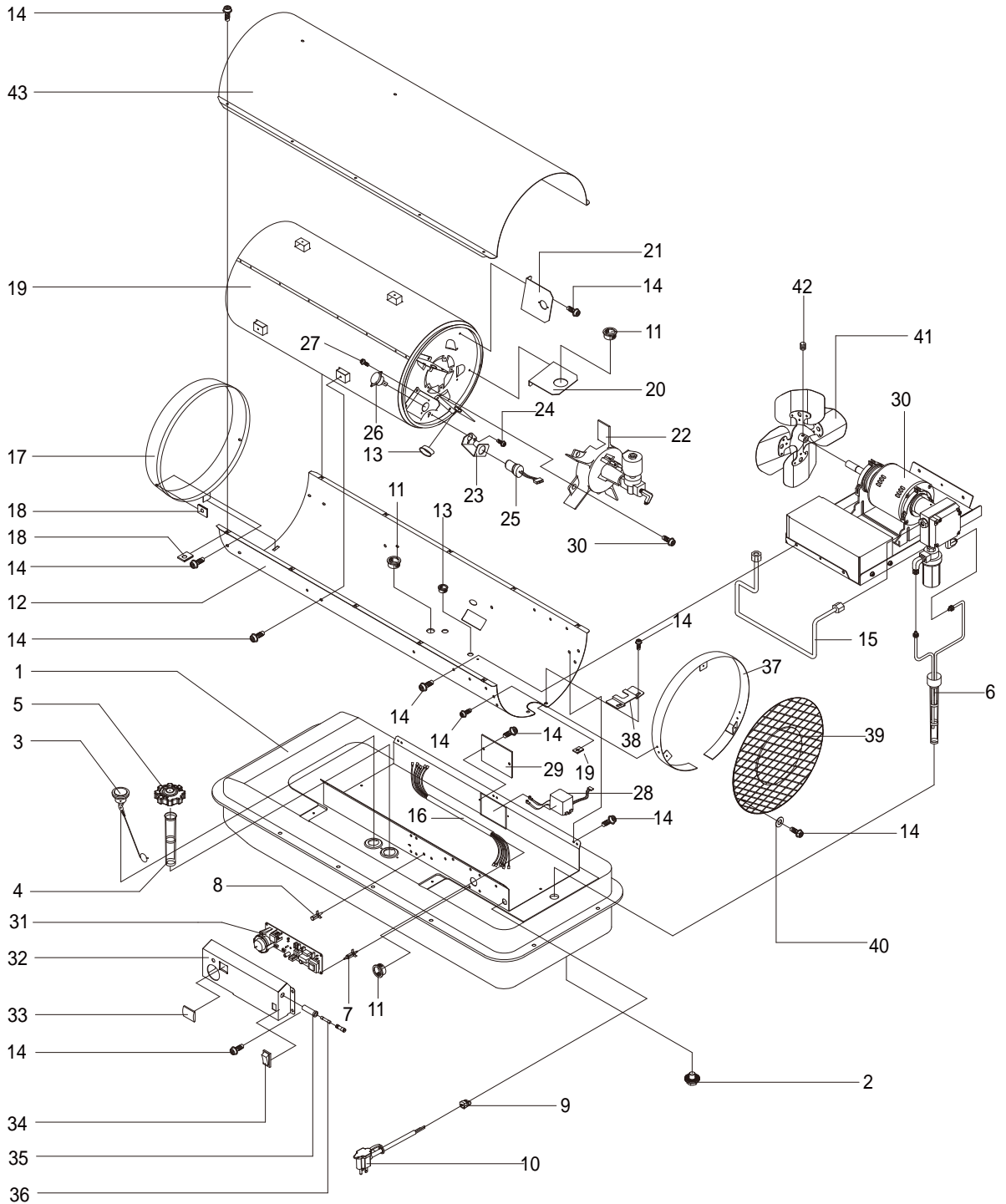
**RFA400T2**

<b>MODELO</b>	RFA400T2
BTU/h.	400,000
Consumo de combustible - Gal./h.(ℓ/H.)	3.0(11.36)
Capacidad del tanque de combustible - gal. (ℓ)	29.0(110.0)
Presión de la bomba PSI (kgf/ cm <sup>2</sup> )	125(8.79)
Volt/Hz	120VAC/60/4.4
Fase	1
Tamaño (D W H), Pulgadas (mm )	52.5"×31.4"×32.8"(1,334×798×834)
Peso libras (kg)	150(68.0)

**¡NUNCA DEJE EL CALENTADOR  
DESATENDIDO CUANDO ESTÉ ENCENDIDO!**

### **14. PLANO DE DESPIECE (Modelo RFA400T2 únicamente)**

NOTA: ESPECIFIQUE EL NÚMERO DE MODELO Y EL NÚMERO DE PIEZA CUANDO ORDENE REPUESTOS.



**¡NUNCA DEJE EL CALENTADOR  
DESATENDIDO CUANDO ESTÉ ENCENDIDO!**

## **15. LISTA DE PIEZAS**

CLAVE N°	DESCRIPCIÓN	PIEZA N°	Cantidad
		<b>RFA400T2</b>	
1	Conjunto del tanque de combustible	2151-0010-01	1
2	Perno de drenaje de combustible	4329-0072-00	1
3	Indicador de combustible	2156-0053-00	1
4	Filtro de combustible	3221-0009-00	1
5	Tapa del tanque de combustible	2151-0041-00	1
6	Conjunto del cuello de llenado	2155-0007-00	1
7	Soporte separador	3713-0004-00	5
8	Soporte de la placa	3713-0016-00	3
9	Buje del cordón	3712-0013-00	1
10	Cordón de alimentación	3980-0268-00	1
11	Buje ojal	3231-0188-00	3
12	Coraza inferior	3111-0195-07	1
13	Buje ojal	3231-0187-00	2
14	Tornillo de pestaña	4319-0015-00	26
15	Línea de combustible	3740-0031-00	1
16	Arnés del quemador	39D0-0781-00	1
17	Cono exterior	2153-0012-01	1
18	Tuerca de enganche	3131-0182-00	14
19	Cámara de combustión	2152-0037-00	1
20	Desviador de aire	3131-0650-00	1
21	Desviador de aire	3131-0651-00	4
22	Conjunto del cabezal del quemador	2152-0058-00	1
23	Soporte de la fotocélula	3131-0159-00	1
24	Conjunto de la fotocélula	4311-0068-00	2
25	Tornillo (BH1)	2153-0007-00	1
26	Control de límite de temperatura	38C0-0032-00	1
27	Tornillo (PH2S)	4312-0021-00	2
28	Encendedor	39E0-0021-00	1
29	Cubierta del encendedor	3131-0309-01	1
30	Conjunto del motor y la bomba	2154-0025-00	1
31	Conjunto de la placa de circuitos impresos	215A-0075-00	1
32	Cubierta del indicador	3121-0587-09	1
33	Ventana de visualización	3231-0113-00	1
34	Interruptor de Funcionamiento	39A0-0209-00	1
35	Porta fusibles	3930-0012-00	1
36	Fusible	3920-0061-00	1
37	Conjunto de la protección de seguridad	2153-0011-01	1
38	Soporte-Filtro	3131-0465-00	1
39	Malla de protección	3121-0336-01	1
40	Arandela del impulsor	3131-0240-00	3
41	Conjunto del ventilador	2154-0021-00	1
42	Perno de cabeza hueca estándar	4323-0005-00	1
43	Coraza superior	3111-0196-07	1

PARA ASISTENCIA TÉCNICA CONSULTE  
CON SU DISTRIBUIDOR LOCAL O  
CONTÁCTENOS AL:

PHONE: 800-776-9425

EMAIL: support@worldmktng.com or

info@worldmktng.com www.worldmktng.com

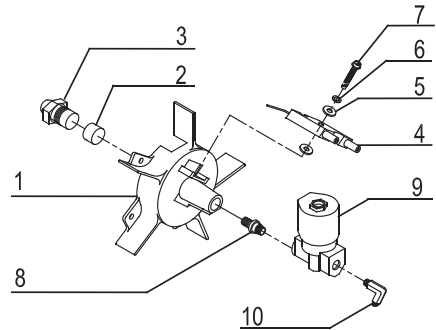


**¡NUNCA DEJE EL CALENTADOR  
DESATENDIDO CUANDO ESTÉ ENCENDIDO!**

## **15. LISTA DE PIEZAS (CONJUNTO DEL CABEZAL DEL QUEMADOR Y CONJUNTO DEL MOTORY Y LA BOMBA)**

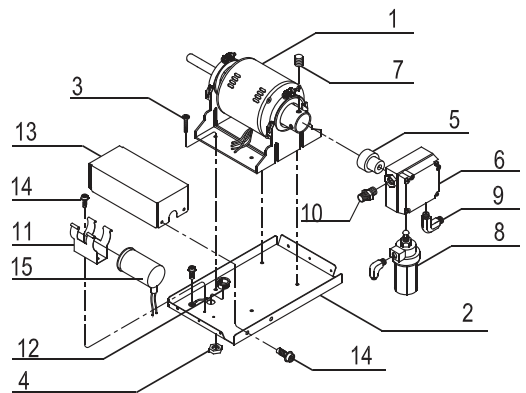
NOTA: ESPECIFIQUE EL NÚMERO DE MODELO Y EL NÚMERO DE PIEZA CUANDO ORDENE REPUESTOS.

CLAVE N°	DESCRIPCIÓN	PIEZA N°	Cantidad
1	Cabezal del quemador	3541-0012-00	1
2	Concetor	3541-0060-00	1
3	Boquilla	SP-KFA1031	1
4	Bujía	SP-KFA1009	1
5	Arandela de fibra	4349-0017-00	1
6	Arandela de presión	4342-0009-00	1
7	Perno de pestaña	4329-0013-00	1
8	Niple recto	3541-0057-00	1
9	Válvula de solenoide	39A0-0084-00	1
10	Codo macho	3740-0037-00	1



**Figura 18. Conjunto del cabezal del quemador**

CLAVE N°	DESCRIPCIÓN	PIEZA N°	Cantidad
1	Motor	3970-0081-00	1
2	Soporte del motor	3121-0334-00	1
3	Perno(HH)	4321-0182-00	4
4	Tuerca de seguridad	4331-0022-00	4
5	Acoplamiento de la bomba	3531-0013-00	1
6	Equipo de bomba	3740-0026-00	1
7	Perno de cabeza hueca sin cabeza	4323-0008-00	3
8	Conjunto del filtro de aceite	3740-0034-00	1
9	Codo macho	3740-0044-00	1
10	Adaptador recto	3740-0039-00	1
11	Portacondensador	3131-0295-00	1
12	Buje ojal	3231-0187-00	1
13	Cubierta del condensador	3121-0338-00	1
14	Tornillo de pestaña	4319-0015-02	4
15	Capacitor	3820-0144-00	1



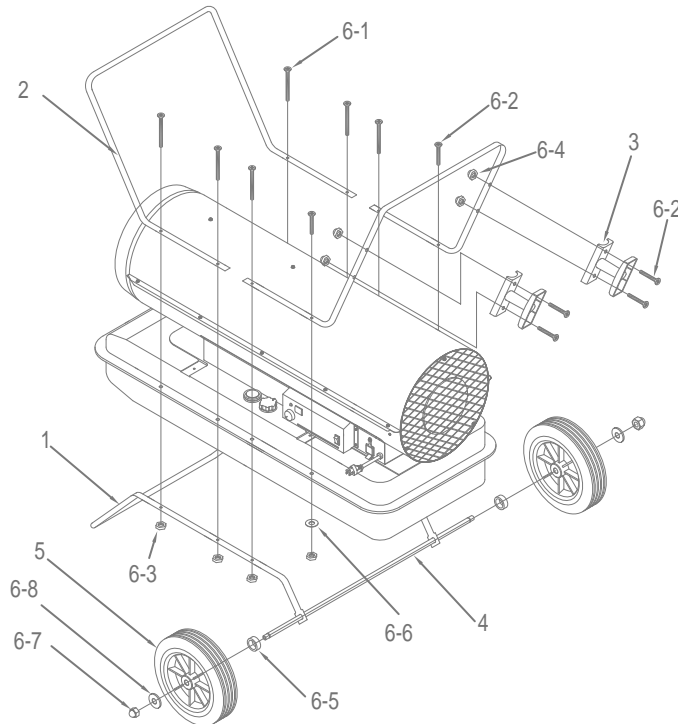
**Figura 19. Conjunto del motor y la bomba.**

**¡NUNCA DEJE EL CALENTADOR  
DESATENDIDO CUANDO ESTÉ ENCENDIDO!**

### **15. LISTA DE PIEZAS (CONJUNTO DEL CABEZAL DEL QUEMADOR Y CONJUNTO DEL MOTORY Y LA BOMBA)**

NOTA: ESPECIFIQUE EL NÚMERO DE MODELO Y EL NÚMERO DE PIEZA CUANDO ORDENE REPUESTOS.

CLAVENº	DESCRIPCIÓN	PIEZA Nº	Cantidad
1	Armazón de soporte de las ruedas	3551-0098-00	1
2	Asidero	3551-0036-00	2
3	Enrolla cable	3221-0052-00	2
4	Eje roscado	3541-0096-00	1
5	Rueda	3720-0004-00	2
6	Juego de herrajes	HW-KFA1019	1
6-1	Tornillos (L)	Incluido en el kit de accesorios	6
6-2	Tornillos (S)	Incluido en el kit de accesorios	6
6-3	Tuerca	Incluido en el kit de accesorios	8
6-4	Tuercas de caperuza (S)	Incluido en el kit de accesorios	4
6-5	Conector	Incluido en el kit de accesorios	2
6-6	Arandelas (S)	Incluido en el kit de accesorios	2
6-7	Tuercas de caperuza (L)	Incluido en el kit de accesorios	2
6-8	Arandelas(L)	Incluido en el kit de accesorios	2



**GARANTÍA LIMITADA:** World Marketing of America, Inc. garantiza que este calefactor Reddy no presenta defectos de material ni de fabricación durante un período de dos (2) años. Esta garantía está limitada al comprador original (NO TRANSFERIBLE) y requiere comprobante de compra como factura, cheque cancelado, recibo de venta, etc. Esta garantía se limita a defectos de material y fabricación y no incluye el mantenimiento normal necesario para el funcionamiento adecuado del calefactor, en particular no está cubierto por esta garantía el reemplazo de rotores, filtros, fusibles y encendedores.

Esta garantía no se aplica a productos adquiridos para uso en alquiler.

**OBLIGACIONES DEL PROPIETARIO:** Este aparato de calefacción debe utilizarse conforme a las instrucciones escritas suministradas con el mismo. Esta garantía no eximirá al propietario del mantenimiento adecuado de este calefactor conforme a las instrucciones escritas suministradas con el mismo. Se debe conservar un cheque cancelado de la factura de venta o un registro de pago para verificar la fecha de compra y establecer el período de garantía. Se debe conservar la caja original en caso de que sea necesario devolver la unidad bajo garantía.

**QUÉ NO ESTÁ CUBIERTO:**

1. Daños resultantes del uso inadecuado de combustible.
2. Daños causados por mal uso o uso contrario al manual del propietario y a las pautas de seguridad.
3. Daños causados por la falta de mantenimiento normal.
4. Fusibles
5. Uso de piezas o accesorios no estándar.
6. Daños causados durante el transporte. Los gastos de envío de las piezas en garantía o de los calefactores hasta y desde la fábrica correrán a cargo del propietario.

En caso de defecto, esta garantía limitada se limitará a la reparación o reemplazo de las piezas que resulten defectuosas en condiciones normales de uso y servicio dentro del período de garantía limitada. World Marketing of America, Inc. rechaza cualquier otro tipo de garantía para productos adquiridos a vendedores que no sean minoristas o distribuidores autorizados. World Marketing of America, Inc. (y sus empresas afiliadas) NO TENDRÁN NINGUNA RESPONSABILIDAD ANTE EL COMPRADOR O CUALQUIER OTRO TERCERO POR DAÑOS ESPECIALES, INDIRECTOS, PUNITIVOS, INCIDENTALES O CONSECUENCIALES. Este producto debe recibir un mantenimiento y un uso adecuados conforme a las instrucciones suministradas en el presente documento. Esta garantía limitada no cubre fallas ni dificultades de funcionamiento debidas al uso y desgaste normales, accidentes, abuso, uso indebido, alteración, mal uso, instalación incorrecta o mantenimiento y reparación inadecuados realizados por usted o por terceros. Esta garantía limitada no cubre la falta de mantenimiento normal y rutinario del producto, ni los daños debidos a factores medioambientales. World Marketing of America, Inc. no asume ninguna responsabilidad por defectos causados por terceros.

WORLD MARKETING OF AMERICA, INC. NO HACE NINGUNA DECLARACIÓN NI OTORGA GARANTÍA ALGUNA, EXPRESA O IMPLÍCITA, CON RESPECTO A ESTE APARATO DE CALEFACCIÓN, SALVO (I) LA GARANTÍA LIMITADA ANTERIOR Y (II) CUALQUIER GARANTÍA IMPLÍCITA IMPUESTA POR LA LEY APLICABLE QUE NO PUEDA SER OBJETO DE RENUNCIA O EXCLUSIÓN EN VIRTUD DE LA LEY APLICABLE. LA GARANTÍA LIMITADA ESTABLECIDA EN EL PRESENTE DOCUMENTO ES LA ÚNICA GARANTÍA OFRECIDA AL COMPRADOR Y SUSTITUYE A TODAS LAS DEMÁS GARANTÍAS Y DECLARACIONES, EXPRESAS O IMPLÍCITAS.

Esta garantía limitada otorga al comprador derechos legales específicos; es posible que el comprador tenga otros derechos dependiendo de su lugar de residencia. Algunos estados no permiten la exclusión o limitación de daños especiales, incidentales o consecuentes, o la ley estatal puede afectar la duración de las limitaciones, por lo que es posible que las exclusiones y limitaciones anteriores no sean aplicables.



**MODELO: DFA400T2**



**POUR  
CHAUFFERETTE PORTATIVE À  
VENTILATION MÉCANIQUE  
"MANUEL D'INSTRUCTIONS"**



**HOMOLOGUÉ  
ACNOR (É-U)**

Avant d'utiliser cette chaufferette pour la première fois, lisez très attentivement ce MANUEL D'INSTRUCTIONS. Ce MANUEL D'INSTRUCTIONS a été conçu pour vous montrer la bonne façon d'assembler la chaufferette, de l'entretenir, de l'entreposer mais avant tout, de la faire fonctionner efficacement en toute sécurité. Conservez donc ce manuel pour référence future.



**RÉSIDENTS DE CALIFORNIE UNIQUEMENT-AVERTISSEMENT :**

Ce produit contient des produits chimiques, notamment du phtalate de di(2-éthylhexyle) (DEHP), qui est connu de l'État de Californie pour causer le cancer et des malformations congénitales ou d'autres troubles de la reproduction. Pour plus d'informations, rendez-vous sur : [www.P65Warnings.ca.gov](http://www.P65Warnings.ca.gov)

**World Marketing of America, Inc.  
RT.22 West, P.O. Box 192  
Mill Creek, PA 17060  
Telephone : 800-776-9425 (9AM - 4PM EST)  
[www.worldmktomg.com](http://www.worldmktomg.com)**

WMAIRFA400\_25\_SLB

**⚠ DANGER :** L'UTILISATION NON APPROPRIÉE DE CET APPAREIL DE CHAUFFAGE PEUT ENTRAÎNER DES BLESSURES GRAVES VOIRE MORTELLES PAR SUITE DE BRÛLURES, D'UN FEU, D'UNE EXPLOSION OU D'UN CHOC ÉLECTRIQUE ET/OU D'UN EMPOISONNEMENT AU MONOXYDE DE CARBONE.

**⚠ AVERTISSEMENTS :**

**1. RISQUE DE POLLUTION DE L'AIR INTÉRIEUR!**

- **Utilisez cet appareil de chauffage uniquement dans les endroits bien ventilés.** Afin de laisser pénétrer l'air frais extérieur, prévoyez une ouverture minimum de 2 800 cm<sup>2</sup> (3/4 pi<sup>2</sup>) par 100 000 BTU/h de débit calorifique.
- Les personnes souffrant de problèmes respiratoires devraient consulter un médecin avant d'utiliser l'appareil de chauffage.
- **Empoisonnement au monoxyde de carbone :** Les signes précurseurs d'un empoisonnement au monoxyde de carbone sont comparables à une grippe avec maux de tête, étourdissements et/ou nausées. Si vous éprouvez ces symptômes, l'appareil de chauffage pourrait ne pas fonctionner correctement. Placez-vous immédiatement à l'air frais! Faites réparer l'appareil de chauffage. Le monoxyde de carbone est plus dangereux pour certaines personnes que pour d'autres, notamment pour les femmes enceintes, les personnes souffrant de maladies cardiaques ou pulmonaires, d'anémies, les personnes ayant les facultés affaiblies par l'alcool ou se trouvant en haute altitude.
- N'utilisez jamais cet appareil de chauffage dans les chambres ou les salles de séjour.

**2. RISQUE DE BRÛLURES/FEU/EXPLOSION!**

- N'utilisez **JAMAIS** de Combustibles dans cet appareil de chauffage : Diesel # 1 / # 2 / mazout, JET A ou JP-8.
- N'utilisez **JAMAIS** de combustible tel que de l'essence, du benzène, du diluant de peinture ou autre composé de pétrole dans cet appareil de chauffage. (**RISQUE DE FEU OU D'EXPLOSION**)
- N'utilisez **JAMAIS** cet appareil de chauffage dans un endroit qui pourrait contenir des vapeurs inflammables.
- NE remplissez **JAMAIS** la bonbonne de combustible tandis que l'appareil de chauffage fonctionne ou est encore chaud.

**⚠ MISE EN GARDE :** Cet appareil est très chaud lorsqu'il fonctionne. Il ne faut pas le toucher. Tenez les enfants, les vêtements et les matériaux combustibles à l'écart de l'appareil de chauffage.

**Dégagements minimums :** prise de courant : 250 cm (8 pi)/côtés, dessus et arrière : 125 cm (4 pi)

- NE bloquez **JAMAIS** l'arrivée d'air (arrière) ou la sortie d'air (avant) de l'appareil de chauffage.
- Ne faites **JAMAIS** passer de conduits devant ou derrière l'appareil de chauffage.
- Vous NE devez **JAMAIS** déplacer, manipuler, réparer un appareil de chauffage chaud, en fonctionnement ou branché.
- Ne transportez **JAMAIS** l'appareil de chauffage avec du combustible dans le réservoir.
- Lorsque vous utilisez un thermostat optionnel ou si votre appareil de chauffage est équipé d'un thermostat, l'appareil peut s'allumer en tout temps.
- Placez **TOUJOURS** l'appareil de chauffage sur une surface stable et de niveau.
- Tenez **TOUJOURS** les enfants et les animaux domestiques à l'écart de l'appareil de chauffage.
- Le combustible devrait être entreposé à une distance minimum de 7,6 m (25 pi) des appareils de chauffage, torches, générateurs portatifs et autres sources inflammables. Tout lieu d'entreposage de combustible doit être conforme aux exigences des autorités fédérales, locales et de l'État qui ont juridiction.

**3. RISQUE DE CHOC ÉLECTRIQUE!**

- Utilisez l'énergie électrique (tension et fréquence) spécifiée sur la plaque du modèle de l'appareil de chauffage.
- Utilisez uniquement une prise de courant à trois broches, mise à la terre, et une rallonge.
- Installez **TOUJOURS** le chauffage électrique de sorte qu'il ne soit pas directement exposé à la pulvérisation d'eau, à la pluie, aux gouttes d'eau ou au vent.
- Débranchez **TOUJOURS** l'appareil de chauffage lorsque vous ne l'utilisez pas.

**RÉSIDENTS DU MASSACHUSETTS :** la loi de l'État du Massachusetts interdit l'utilisation de cet appareil de chauffage dans tout bâtiment utilisé totalement ou en partie aux fins d'habitation. Dans l'État du Massachusetts, l'utilisation de cet appareil de chauffage requiert l'autorisation du service d'incendie local (M.E.L.C. 148, Section 10A.)

**RÉSIDENTS DU CANADA :** l'utilisation de cet appareil de chauffage doit répondre aux exigences des autorités ayant juridiction et de la norme canadienne CSA B139.

**RÉSIDENTS DE NEW YORK :** utilisation uniquement sur les chantiers, conformément aux codes de la Ville de New York, en vertu du certificat d'approbation n° 5034 et 5037 des Services d'incendie de New York (NYCFD).



**NE LAISSEZ JAMAIS L' APPAREIL DE  
CHAUFFAGE ALLUMÉ SANS SURVEILLANCE!**

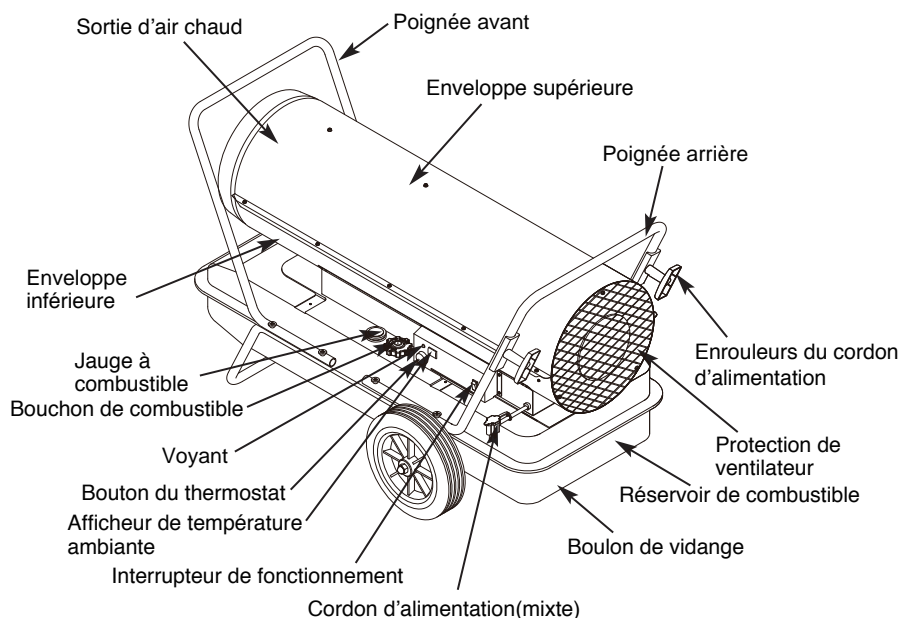
## TABLE DES MATIÈRES DU GUIDE D'UTILISATION

<u>ARTICLE</u>	<u>PAGE N°</u>
PRÉCAUTIONS – GUIDE DES RÈGLES DE SÉCURITÉ .....	1
1. INTRODUCTION .....	2
2. COMPOSANTS .....	2
3. DÉBALLAGE ET ASSEMBLAGE .....	3
4. CHOIX DE COMBUSTIBLES .....	4
5. APERÇU DE L' APPAREIL DE CHAUFFAGE .....	5
6. ALIMENTATION DE VOTRE APPAREIL DE CHAUFFAGE .....	5
7. UTILISATION .....	6
8. ENTREPOSAGE À LONG TERME DU RADIATEUR .....	8
9. ENTRETIEN .....	9
10. REMPLACER LE FUSIBLE .....	14
11. GUIDE DE DÉPISTAGE DES PANNES .....	15
12. DIAGRAMME DE CÂBLAGE .....	16
13. CARACTÉRISTIQUES .....	17
14. VUE ÉCLATÉE DES PIÈCES .....	18
15. LISTE DES PIÈCES .....	19

### **1. INTRODUCTION**

Veuillez lire attentivement ce GUIDE D'UTILISATION. Il vous indique comment assembler, entretenir et utiliser l'appareil de chauffage de façon sûre et efficace afin de bénéficier de tous les avantages de ses nombreuses fonctions intégrées.

### **2. COMPOSANTS**



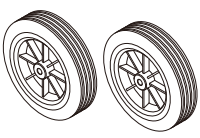
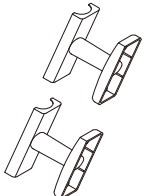

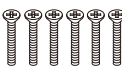






**Figure 1. MODÈLE RFA400T2**

**NE LAISSEZ JAMAIS L'APPAREIL DE CHAUFFAGE ALLUMÉ SANS SURVEILLANCE!**

### 3. DÉBALLAGE ET ASSEMBLAGE

#### 1. ENLEVEZ L'APPAREIL DE CHAUFFAGE ET TOUT LE MATÉRIEL D'EMBALLAGE DE LA BOÎTE. Fig. 2)

REMARQUE : Conservez le carton et le matériel d'emballage aux fins d'entreposage ultérieur.

<p>Roues</p> 	<p>Enrouleurs du cordon d'alimentation</p> 	<p>Vis longue (L)</p> 	<p>Vis longue (S)</p> 	<p>Écrous</p> 	<p>Rondelles(S)</p> 
		<p>Écrous borgnes longues</p> 	<p>Bagues</p> 	<p>Rondelles(L)</p> 	<p>Écrous borgnes courtes</p> 

Trousse de visserie n° de pièce : HW-KFA1019

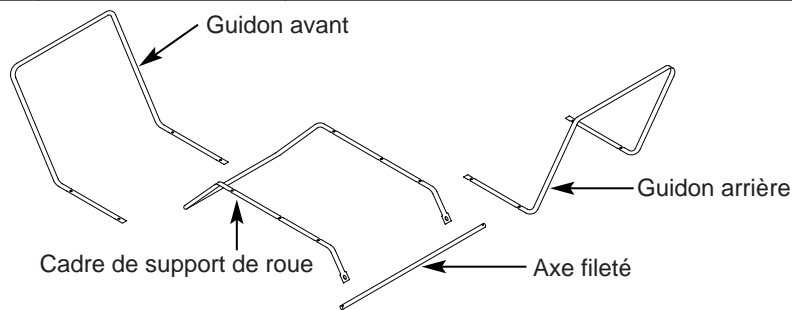


Figure 2. Identification des composants

#### 2. MONTAGE

##### OUTILS NÉCESSAIRES

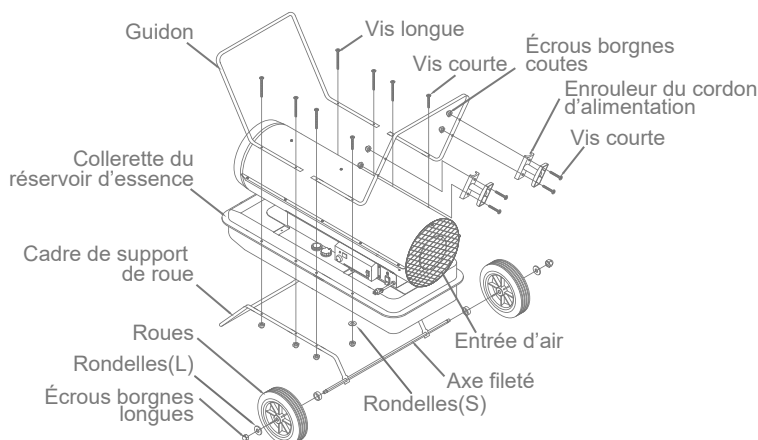
- Tournevis phillips moyen
- Douille de 24mm po ou clé à molette

##### ASSEMBLAGE DES ROUES ET DE LA POIGNÉE

- 1) Glissez l'axe fileté dans la section arrière du cadre-support de roue.
- 2) Fixez une bague à chaque extrémité de l'axe. Fixez une roue à chaque extrémité de l'axe. Insérez les rondelles (L) de chaque côté de l'arbre fileté et serrez l'écrou borgne.
- 3) Placer le radiateur sur le cadre de support de roue. S'assurer que l'entrée d'air (arrière) du radiateur est par-dessus les roues. Aligner les trous sur la collerette du réservoir de combustible. Insérer les vis longue à travers les poignées (avant et arrière), la collerette du réservoir de combustible et le cadre de support de roue. Insérer les vis courte à travers les poignée arrière, la collerette du réservoir de combustible et le rondelles plates courte, comme l'illustre la Figure 3, et serrer l'écrou à la main après avoir inséré chaque vis.
- 4) Lorsque toutes les vis sont insérées, serrer fermement tous les écrous.
- 5) Aligner le trou de la poignée arrière sur le trou de montage du dispositif d'enroulement du cordon.
- 6) Insérer les vis à travers le dispositif d'enroulement du cordon, poignée arrière, comme l'illustre la Figure 3, et serrer l'écrou à la main après avoir inséré chaque vis.
7. Lorsque toutes les vis sont insérées, serrer fermement tous les écrous.

**⚠ ATTENTION:** Ne pas utiliser le radiateur sans que le cadre de support ne soit complètement monté sur le réservoir.

**NE LAISSEZ JAMAIS L' APPAREIL DE  
CHAUFFAGE ALLUMÉ SANS SURVEILLANCE!**



**Figure 3. Ensemble roues et poignée**

**▲ MISE EN GARDE:** NE FAITES PAS FONCTIONNER l'appareil de chauffage si le cadre-support n'est pas fixé au réservoir. **REMARQUE:** L'appareil de chauffage devrait être inspecté avant chaque utilisation et une fois par an au moins par un technicien qualifié.

#### **4. CHOIX DE COMBUSTIBLES**

1. Tous les modèles peuvent utiliser sept combustibles différents : du kérosène K1, du mazout no 1, du diesel n 1, du mazout no 2, du diesel no 2, du carburant JET A et du JP-8.
2. Le kérosène K1 est recommandé pour une combustion et des performances optimales et pour moins d'entretien. Le K-1 est également le meilleur choix de combustible pour les températures extrêmement basses de  $-9,4^{\circ}\text{C}$  ( $15^{\circ}\text{F}$ ) et moins, puisque son point d'écoulement et son point de gélification varient en fonction de la raffinerie, mais sont toujours bien en dessous des températures les plus basses atteintes en Amérique du Nord.
3. Les carburants JET A et JP-8 sont aussi d'excellents choix pour une combustion propre, un entretien réduit et des températures sous  $-9,4^{\circ}\text{C}$  ( $15^{\circ}\text{F}$ ), mais ils sont surtout réservés à l'usage militaire ou à l'industrie de l'aviation.
4. Le mazout no 1, le diesel no 1, le mazout no 2 et le diesel no 2 sont souvent sélectionnés, puisqu'ils sont facilement accessibles. Toutefois, l'utilisateur doit comprendre que le mazout et le diesel sont moins raffinés, et il doit donc être conscient des points suivants :
  - a. Le diesel no 1 et le mazout no 1 dégageront un peu plus de fumé/suie pendant l'allumage ainsi qu'une forte odeur et demanderont un entretien et un nettoyage plus fréquents.
  - b. Le diesel no 2 et le mazout no 2, selon la raffinerie régionale, brûlent de manière plus salissante que les combustibles no 1. L'utilisation des combustibles no 2 entraînera un peu plus de fumée/suie pendant l'allumage, une odeur plus forte et un nettoyage et un entretien plus réguliers que les combustibles no 1.
  - c. À des températures sous  $-9,4^{\circ}\text{C}$  ( $15^{\circ}\text{F}$ ), la majorité des mélanges de diesel/mazout deviendront plus visqueux (commencent à se gélifier), puisque le diesel sera sous son point d'écoulement (commence à se gélifier), ce qui pourrait poser un défi à l'allumage du radiateur et à son utilisation continue. Il existe des étapes de dépannages pour cette situation, mais il est recommandé de sélectionner du K1 (ou du JP-8/JET A) à des températures sous  $-9,4^{\circ}\text{C}$  ( $15^{\circ}\text{F}$ ). Plus les températures sont froides, plus le diesel sera susceptible de se gélifier.
  - d. La gélification du diesel survient lorsque la paraffine utilisée dans ce combustible commence à se solidifier en raison d'une chute de température. À  $0^{\circ}\text{C}$  ( $32^{\circ}\text{F}$ ), la cire sous forme liquide se cristallise et brouillera le combustible, ce qui pourrait commencer à affecter le filtre à carburant et la buse. Si la buse s'encrasse, la forme du jet ne sera plus la bonne, ce qui peut causer de la fumée blanche et des problèmes de performance.

**LE KÉROSÈNE DOIT ÊTRE UNIQUEMENT STOCKÉ DANS UN CONTENANT CLAIREMENT DÉSIGNÉ PAR LE MOT « KÉROSÈNE ». LE KÉROSÈNE NE DOIT JAMAIS ÊTRE STOCKÉ DANS UN CONTENANT ROUGE.**

En effet, les contenant rouges sont associés à l'essence

N'entreposez **JAMAIS** le kérosène dans une pièce d'habitation. Le kérosène devrait toujours être entreposé dans un endroit bien ventilé, hors des pièces d'habitation.

N'utilisez **JAMAIS** de combustible autre que du kérosène 1-K (Diesel # 1 / # 2 / mazout / JET A ou JP-8 sont des substituts acceptables).

N'utilisez **JAMAIS** de combustible tel que de l'essence, du benzène, de l'alcool, de l'essence de bateau à moteur, du combustible de réchaud de camping, du diluant de peinture ou autre composé de pétrole dans cet appareil de chauffage. Ces combustibles sont volatiles et peuvent générer une explosion ou des flammes incontrôlables.

N'entreposez **JAMAIS** de kérosène à la lumière directe du soleil ou près d'une source de chaleur.

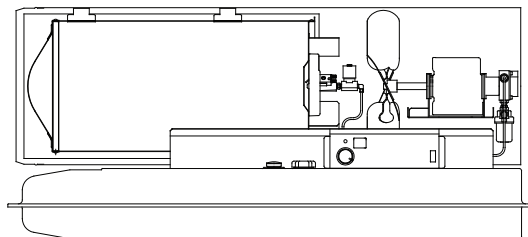
N'utilisez **JAMAIS** de kérosène qui a été entreposé pendant toute une saison. Le kérosène se détériore avec le temps.

**LE KÉROSÈNE « USAGÉ » NE BRÛLERA PAS CORRECTEMENT DANS CET APPAREIL DE CHAUFFAGE.**

**NE LAISSEZ JAMAIS L'APPAREIL DE CHAUFFAGE ALLUMÉ SANS SURVEILLANCE!**

## **5. APERÇU DES APPAREILS DE CHAUFFAGE**

**Système d'alimentation en combustible :** Ce radiateur est équipé d'une pompe à carburant (à engrenage) qui aspire le carburant à par la canalisation de carburant raccordée au réservoir de carburant, fait passer le carburant dans un filtre et une électrovalve puis par la buse de la tête de brûleur. Ce carburant est vaporisé dans la chambre de combustion sous la forme d'une brume.



**« Allumage sûr » :** l'allumeur électronique transmet la tension à une bougie d'allumage spécialement étudiée. La bougie allume le mélange de combustible et d'air décrit ci-dessus.

**Système d'air :** le moteur ultra-robuste fait tourner un ventilateur qui force le passage de l'air dans et autour d'une chambre de combustion. L'air est alors chauffé et expulsé à l'avant de l'appareil de chauffage.

### **Système de sécurité :**

**A. Limiteur de température :** cet appareil de chauffage est équipé d'un limiteur de température conçu de façon à éteindre l'appareil de chauffage si la température interne s'élève à un niveau dangereux. Si ce dispositif allume et éteint votre appareil de chauffage, il a peut-être besoin d'être réparé.

Température d'extinction interne Plus ou moins 10 degrés	Température de réinitialisation Plus ou moins 10 degrés
176°F/80°C	122°F/50°C

**B. Protection de circuit électrique :** le circuit électrique et les autres composants électriques des appareils de chauffage sont protégés des dommages par un fusible monté sur l'assemblage de cartes de circuits imprimés. Si votre appareil de chauffage tombe en panne, vérifiez tout d'abord le fusible et remplacez-le au besoin.

<b>TYPE DE FUSIBLE</b>	250 volts/20 A
------------------------	----------------

**C. Détecteur d'extinction :** utilise une cellule photo-électrique pour surveiller la flamme dans la chambre de combustion pendant le fonctionnement normal de l'appareil. Le fonctionnement de l'appareil de chauffage est interrompu si la flamme du brûleur s'éteint.

## **6. ALIMENTATION DE VOTRE APPAREIL DE CHAUFFAGE**

**NE REMPLISSEZ JAMAIS LE RÉSERVOIR DE COMBUSTIBLE DE L'APPAREIL DE CHAUFFAGE DANS UNE PIÈCE D'HABITATION : REMPLISSEZ-LE À L'EXTÉRIEUR. NE LE REMPLISSEZ PAS EXCESSIVEMENT ET ASSUREZ-VOUS QUE L'APPAREIL DE CHAUFFAGE EST DE NIVEAU.**

**REMARQUE IMPORTANTE SUR LE PREMIER ALLUMAGE DE L'APPAREIL DE CHAUFFAGE :** La première fois que vous allumez l'appareil de chauffage, vous devriez le faire à l'extérieur. Ainsi, les huiles, etc., utilisées dans le processus de fabrication de l'appareil de chauffage peuvent être éliminées à l'extérieur.

**⚠ AVERTISSEMENT!! : NE REMPLISSEZ JAMAIS LE RÉSERVOIR DE COMBUSTIBLE DE L'APPAREIL DE CHAUFFAGE PENDANT QUE L'APPAREIL FONCTIONNE OU TANT QU'IL EST ENCORE CHAUD.**

**NE LAISSEZ JAMAIS L'APPAREIL DE  
CHAUFFAGE ALLUMÉ SANS SURVEILLANCE!**

## **7. UTILISATION**

### **A.) VENTILATION**

RISQUE DE POLLUTION DE L'AIR INTÉRIEUR/UTILISEZ L'APPAREIL DE CHAUFFAGE  
UNIQUEMENT DANS DES ENDROITS BIEN VENTILÉS.

Afin de laisser pénétrer l'air frais extérieur, prévoyez une ouverture minimum de 2 800 cm<sup>2</sup> (3/4 pi<sup>2</sup>) par 100 000 BTU/h de débit calorifique.

### **B.) FUNCIONAMIENTO**

DÉMARRAGE DU RADIATEUR

1. Remplir le réservoir de combustible avec du combustible. NOTE: Le kérosène est recommandé lorsque la température descend en dessous de 0 °F (-18 °C) pour éviter le retard ou l'échec de l'ignition.
2. Fixer le bouchon du réservoir de combustible.
3. Brancher le cordon d'alimentation dans le cordon prolongateur à trois prises et mis à la terre. Le cordon prolongateur doit avoir au moins 1,8 m (6 pi).

**Exigences de calibre de fil du cordon prolongateur :**

- 1,8 à 30,5 m de longueur, utiliser un conducteur de 14 AWG
- 30,8 à 61 m de longueur, utiliser un conducteur de 12 AWG
- 61,3 à 91,4 m de longueur, utiliser un conducteur de 10 AWG
- 91,7 à 121,9 m de longueur, utiliser un conducteur de 8 AWG
- 122,2 à 152,4 m de longueur, utiliser un conducteur de 6 AWG

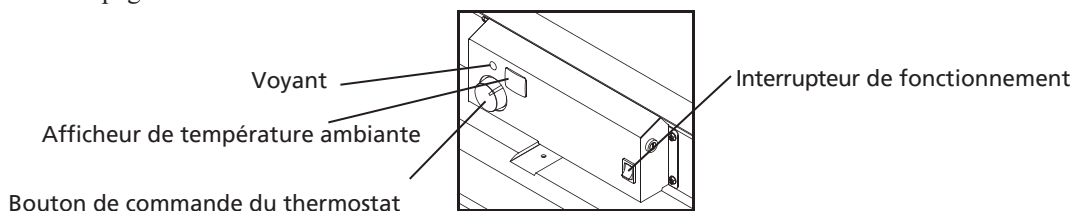
4. Tourner "bouton du thermostat" à la position désirée (plage de réglage: 40°F ~ 110°F) et pousser le commutateur de fonctionnement à position "ON", la lampe d'alimentation et de la température ambiante vont s'allumer et le chauffage va commencer.

**REMARQUE :** L'afficheur de température ambiante indique ce qui suit.

- Lorsque la température ambiante est inférieure à -18 °C : « Bas » (Lo).
- Lorsque la température ambiante se situe entre -18 °C et 37 °C. Indique la température de la pièce.
- Lorsque la température ambiante est supérieure à 37 °C : « Haut » (HI).

Si le radiateur ne démarre pas, le réglage du thermostat peut être trop bas, tourner le « BOUTON DE COMMANDE DE THERMOSTAT » à une position plus élevée pour démarrer le radiateur.

Si le radiateur ne démarre toujours pas, tournez le commutateur de fonctionnement sur "OFF" puis à position "ON"(Figure 4). Si le radiateur ne démarre toujours pas, consulter le Tableau de dépannage à la page 13.



**Figure 4. Commandes du radiateur**

**AVIS :** Les principaux composants électriques de cet appareil de chauffage sont protégés par un fusible de sécurité monté sur la carte de circuits imprimés. Si votre appareil de chauffage ne peut pas s'allumer, vérifiez tout d'abord le fusible et remplacez-le au besoin. Vous devriez également vérifier votre source d'alimentation afin de vous assurer que la tension et la fréquence appropriées sont fournies à l'appareil de chauffage.

**NE LAISSEZ JAMAIS L' APPAREIL DE  
CHAUFFAGE ALLUMÉ SANS SURVEILLANCE!**

### ARRÊT DU RADIATEUR

**⚠ ATTENTION : Ne jamais débrancher un radiateur qui fonctionne encore.**

Le radiateur doit effectuer un cycle de refroidissement. Le cycle de refroidissement permet de refroidir la chambre de combustion. Une chambre de combustion qui n'a pas refroidi peut causer des dommages au radiateur.  
Ne pas redémarrer le radiateur tant que le cycle de refroidissement n'a pas été complété.

1. Tourner le commutateur de fonctionnement sur "OFF".  
Ceci permet à la flamme du radiateur de s'éteindre. Le moteur continue à tourner pendant le cycle de refroidissement. (Température Ambiante. l'écran affichera "CC" au cours du cycle de refroidissement)  
Ceci permet au ventilateur de refroidir la chambre de combustion. Une fois le cycle de refroidissement terminé (environ 1 minute), le moteur s'arrête.  
Ne pas débrancher le radiateur jusqu'à ce que le cycle de refroidissement est terminé
2. Débranchez le cordon d'alimentation.
3. Pour arrêter temporairement le radiateur, régler le thermostat à une température inférieure à celle de l'air ambiant. Le radiateur redémarrera si la température de l'air ambiant correspond au réglage du thermostat.

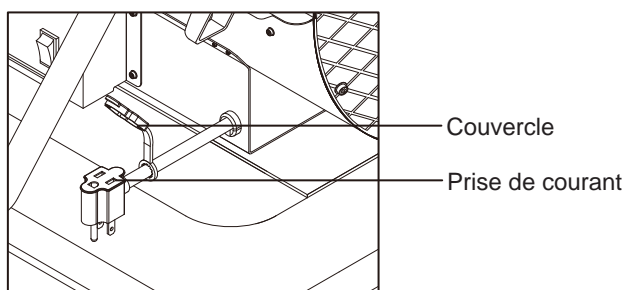
### REMISE EN MARCHÉ DU RADIATEUR

**⚠ ATTENTION : NE PAS redémarrer le radiateur tant que le cycle de refroidissement n'a pas été complété.**

Le cycle de refroidissement permet de refroidir la chambre de combustion.

1. Attendre jusqu'à la fin du cycle de refroidissement avant d'arrêter le radiateur.
2. Répéter les étapes de la section POUR mettre en marche le RADIATEUR.

### CORDON D'ALIMENTATION MIXTE



**Figure 5. Cordon d'alimentation mixte**

**⚠ AVERTISSEMENT : RISQUE DE DÉCHARGE ÉLECTRIQUE!**

- Toujours couvrir la prise électrique lorsqu'elle n'est pas utilisée. Voir la Figure 5.
- Ne pas brancher et utiliser un appareil avec plus de 5 A dans cette prise.

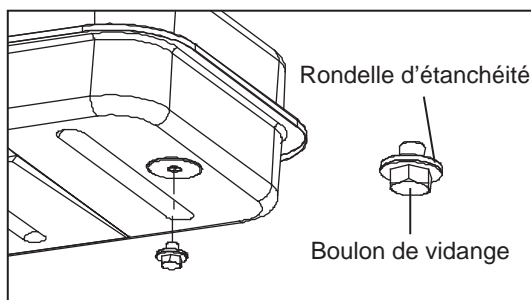
**NE LAISSEZ JAMAIS L'APPAREIL DE CHAUFFAGE ALLUMÉ SANS SURVEILLANCE!**

## **8. ENTREPOSAGE À LONG TERME DU RADIATEUR**

1. Retirez le boulon de vidange (en bas, à l'arrière du réservoir à combustible) en vous servant d'une douille de 3/4 po ou d'une clé à molette, et videz le réservoir.
2. Brassez une petite quantité de kérosène à l'intérieur du réservoir, puis rincez. Ne mélangez JAMAIS de l'eau avec du kérosène, car l'intérieur du réservoir se rouillerait. Évacuez le kérosène en vous assurant de ne pas en laisser à l'intérieur.

**IMPORTANT** : N'entrez pas du kérosène pendant les mois d'été pour l'utiliser à la saison de chauffage suivante. L'utilisation de ce kérosène usagé pourrait endommager l'appareil de chauffage.

3. À l'aide de la douille de 3/4 po ou de la clé à molette, remplacez le boulon de vidange sur le réservoir à combustible. (Voir figure 6.)



**Figure 6. Boulon de vidange**

**IMPORTANT** : Avant de remettre le boulon de vidange en place, assurez-vous que la rondelle d'étanchéité se trouve sur celui-ci, sinon le boulon ne sera pas bien fixé et le combustible s'échappera du réservoir.

4. Entrez l'appareil de chauffage dans un endroit sec et bien ventilé. Assurez-vous que le lieu d'entreposage est exempt de poussières et d'émanations corrosives.
5. Entrez l'appareil de chauffage dans sa boîte d'origine avec le matériel d'emballage et conservez le GUIDE D'UTILISATION avec l'appareil de chauffage.

**NE LAISSEZ JAMAIS L'APPAREIL DE CHAUFFAGE ALLUMÉ SANS SURVEILLANCE!**

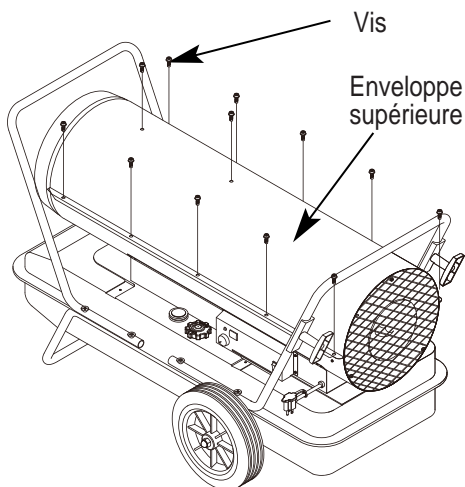
## **9. ENTRETIEN**

**AVERTISSEMENT!! : NE JAMAIS RÉPARER UN RADIATEUR QUI EST BRANCHÉ OU QUI EST CHAUD!**

**UTILISER DES PIÈCES DÉTACHÉES D'ORIGINE.**

**L'utilisation de pièces d'une tierce partie ou d'autres composants alternatifs annule la garantie et risque de causer des conditions qui posent un risque pour la sécurité.**

### **A.) DÉPOSE DE L'ENVELOPPE SUPÉRIEURE**

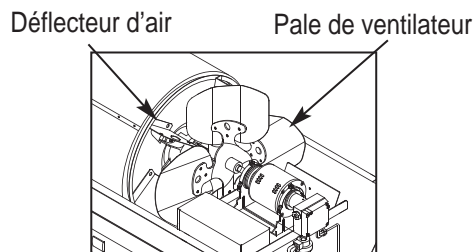


- Enlever les vis le long de chaque côté et du dessus du radiateur en utilisant un tournevis Phillips de taille moyenne.

**Figure 7. Dépose de l'enveloppe supérieure**

### **B.) PALES DE VENTILATEUR ET DÉFLECTEUR D'AIR NETTOYER À CHAQUE SAISON OU SELON LE BESOIN.**

- Déposer l'enveloppe supérieure.
- Nettoyer les pales de ventilateur et les déflecteurs d'air avec un chiffon doux humecté de kérosène ou de solvant.
- Sécher à fond les pâles de ventilateur et les déflecteurs d'air.
- Réinstaller l'enveloppe supérieure.



**Figure 8. Pales de ventilateur et déflecteurs d'air**

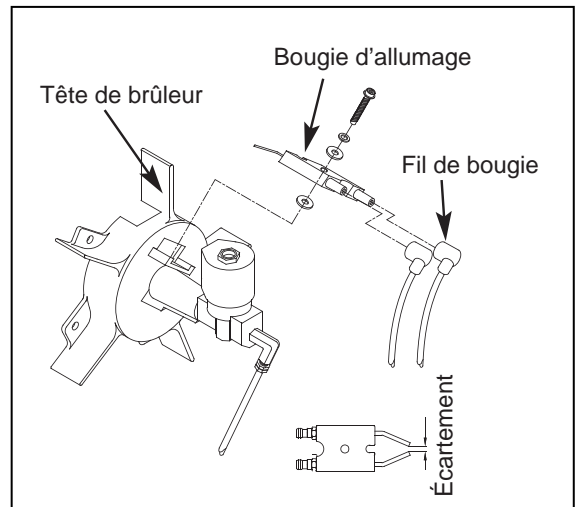


**NE LAISSEZ JAMAIS L'APPAREIL DE CHAUFFAGE ALLUMÉ SANS SURVEILLANCE!**

### C.) BOUGIE D'ALLUMAGE

NETTOYER ET RÉTABLIR LE BON ÉCARTEMENT TOUTES LES 600 HEURES D'UTILISATION OU REMPLACER SELON LE BESOIN.

- Déposer l'enveloppe supérieure.
- Débrancher le fil de bougie de la bougie (voir la Figure 9).
- Enlever la bougie d'allumage de la tête de brûleur en utilisant un tournevis Phillips de taille moyenne.
- Nettoyer et rétablir le bon écartement des électrodes de la bougie à 3,5 mm (0,140 po).
- Réinstaller la bougie d'allumage dans la tête de brûleur.
- Rebrancher le fil bougie à la bougie.
- Réinstaller l'enveloppe supérieure.

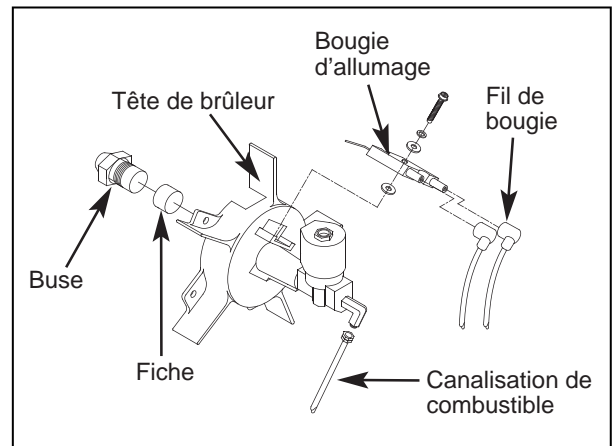


**Figure 9. Bougie d'allumage**

### D.) BUSE

NETTOYER LA BUSE SELON LE BESOIN.

- Déposer l'enveloppe supérieure.
- Déposer la canalisation de carburant de l'électro-valve en utilisant une clé de 1/4 po.
- Débrancher le fil de bougie de la bougie.
- Enlever la bougie d'allumage de la tête de brûleur en utilisant un tournevis Phillips de taille moyenne.
- Enlever les cinq vis à l'aide d'un tournevis Phillips de taille moyenne et enlever la tête de brûleur de la chambre de combustion.
- Enlever avec précaution la buse de la tête de brûleur en utilisant une clé à douille de 5/8 po.
- Souffler de l'air comprimé à travers la face de la buse (pour enlever toute saleté).
- Inspecter la buse pour y détecter des dommages. Remplacer une buse endommagée ou obstruée.
- S'assurer que le bouchon est en place sur la tête de brûleur.
- Réinstaller la buse dans la tête de brûleur et serrer fermement (19,8 à 22,6 Nm / 175 à 200 po/lb).
- Réinstaller la bougie d'allumage dans la tête de brûleur.
- Fixer la tête de brûleur à la chambre de combustion.
- Rebrancher le fil bougie à la bougie.
- Fixer la canalisation de combustible à l'électro-valve. Serrer fermement.
- Remettre en place l'enveloppe supérieure.



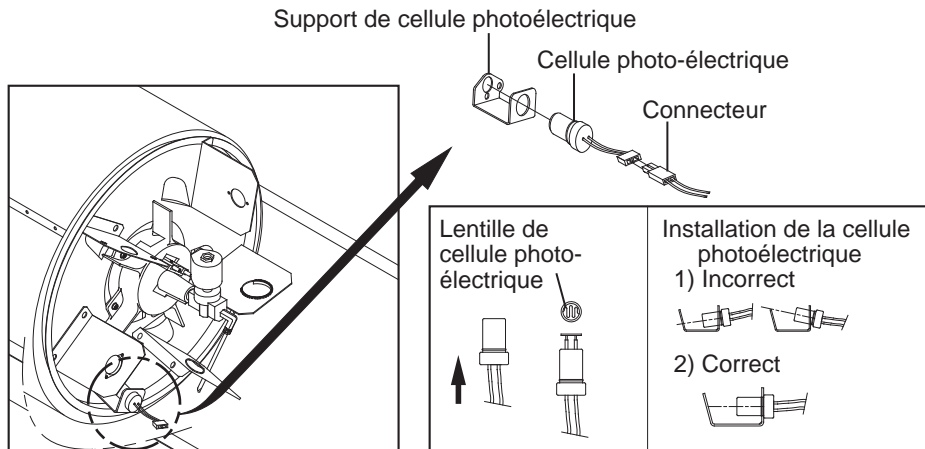
**Figure 10. Boquilla**

**NE LAISSEZ JAMAIS L' APPAREIL DE  
CHAUFFAGE ALLUMÉ SANS SURVEILLANCE!**

### E.) CELLULE PHOTOÉLECTRIQUE

NETTOYER LA CELLULE PHOTO-ÉLECTRIQUE TOUS LES ANS OU SELON LE BESOIN.

- Déposer l'enveloppe supérieure (voir la page 9).
- Déposer la cellule photoélectrique de son support et la débrancher du connecteur.
- Nettoyer la cellule photoélectrique avec un coton-tige.
- Inspecter la cellule photoélectrique Remplacer une cellule photoélectrique endommagée.

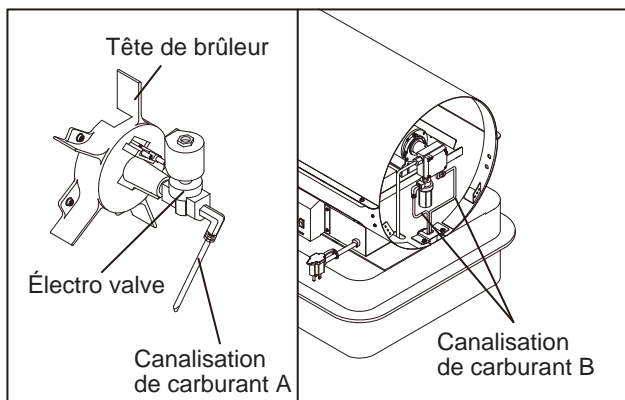


**Figure 11. Nettoyer la lentille de la cellule photoélectrique**

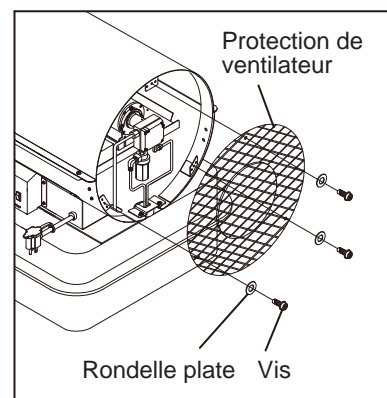
### F.) CANALISATIONS DE CARBURANT

SERRER LES CANALISATIONS DE CARBURANT TOUS LES ANS OU SELON LE BESOIN.

- Déposer l'enveloppe supérieure (voir la page 9).
- Utiliser une clé de 1/4 po et serrer la canalisation de carburant (A) au niveau de l'électro-valve et de la pompe (voir la Figure 12).
- Déposer la protection du ventilateur (voir la Figure 13).
- Utiliser une clé de 3/8 po et serrer la canalisation de carburant (B) au niveau de la pompe et de son filtre à carburant.
- Réinstaller la protection du ventilateur.



**Figure 12. Serrer la canalisation de combustible**



**Figure 13. Démontez la protection du ventilateur**

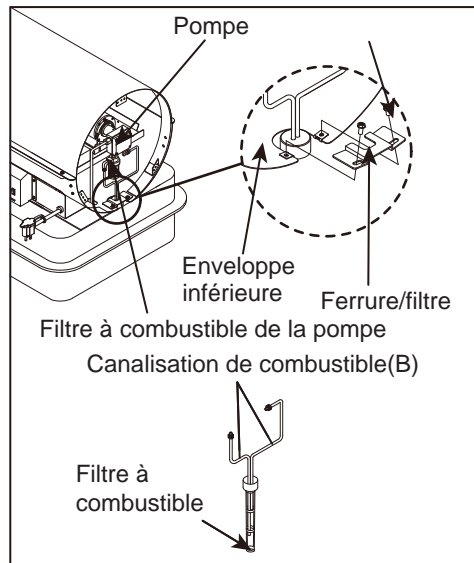
**NE LAISSEZ JAMAIS L' APPAREIL DE  
CHAUFFAGE ALLUMÉ SANS SURVEILLANCE!**

## **G.) FILTRE À COMBUSTIBLE**

NETTOYER DEUX FOIS PAR SAISON DE CHAUFFAGE OU SELON LE BESOIN.

### **• Filtre de réservoir de carburant**

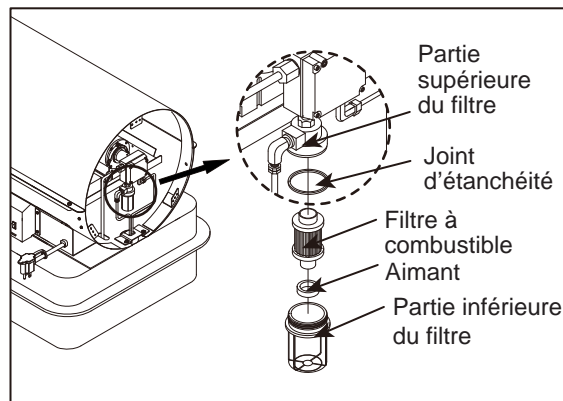
- Déposer la protection du ventilateur (voir la page 11).
- Débrancher la canalisation de carburant (B) de la pompe et de son filtre avec une clé de 3/8 po (voir la Figure 14).
- Enlevez les deux vis qui fixent la ferrure/filtre à la partie inférieure et ôtez la ferrure/filtre.
- Soulever doucement le filtre à car-burant pour le dégager du réservoir avec un tournevis à lame plate.
- Nettoyer les canalisations du carburant et le filtre avec du kérosène propre.
- Remettre en place le filtre à carburant dans le réservoir.
- Replacez la ferrure /filtre à la partie inférieure.
- Raccorder les canalisations de carburant (B) à la pompe et à son filtre.
- Réinstaller la protection du ventilateur.



**Figure 14. Déposer le filtre du réservoir à carburant**

### **• FILTRE À CARBURANT DE LA POMPE**

- Déposer la protection du ventilateur (voir la page 11).
- Dévisser la partie inférieure du filtre en tournant le sens horaire à partir de la partie supérieure du filtre avec des pinces réglables.
- Déposer le filtre à carburant, le joint d'étanchéité, l'aimant de la partie inférieure du filtre (voir la Figure 15).
- Laver la partie inférieure du filtre avec du kérosène propre.
- Essuyer l'intérieur du fond du filtre avec un chiffon sec et propre.
- Laver le filtre à carburant avec du kérosène propre.
- Nettoyer la saleté qui colle à l'aimant.
- Remettre en place l'aimant propre, le filtre à carburant et le joint d'étanchéité dans le fond du filtre.
- Serrer fermement.

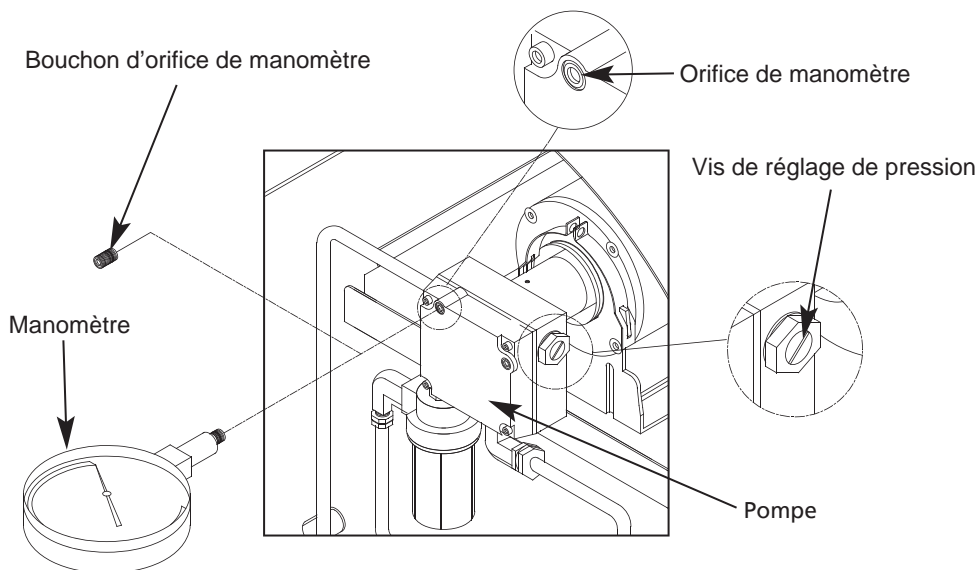


**Figure 15. Filtre de la pompe à carburant**

**NE LAISSEZ JAMAIS L'APPAREIL DE  
CHAUFFAGE ALLUMÉ SANS SURVEILLANCE!**

## H.) RÉGLAGE DE LA PRESSION DE LA POMPE

- Déposer le bouchon du manomètre de la pompe en utilisant une clé Allen de 1/8 po.
- Installer le manomètre dans l'orifice (voir la Figure 16).
- Démarrer le radiateur (voir Fonctionnement, page 6). Laisser le moteur atteindre sa pleine vitesse.
- Régler la pression (utiliser un petit tournevis à lame plate). Tourner la vis de réglage de pression dans le sens horaire pour augmenter la pression. Tourner la vis de réglage de pression dans le sens antihoraire pour diminuer la pression.
- Régler la pression de la pompe à 861,9 kPa.- Arrêter le radiateur (voir Fonctionnement, page 6).
- Déposer le manomètre. Remettre le bouchon en place.



**Figure 16. Réglage de la pression de la pompe**

**REMARQUE :** Utiliser uniquement des pièces de rechange d'origine.

L'utilisation de pièces d'une tierce partie ou d'autres composants alternatifs annule la garantie et risque de créer des conditions qui posent un risque pour la sécurité.

**NE LAISSEZ JAMAIS L' APPAREIL DE  
CHAUFFAGE ALLUMÉ SANS SURVEILLANCE!**

## **10. REMPLACEMENT DU FUSIBLE**

**AVIS : Cet appareil de chauffage est protégé par un fusible.**

**Si votre appareil de chauffage ne peut pas s'allumer,  
NE LE RAMENEZ PAS AU MAGASIN.**

**Veillez suivre les simples instructions ci-après pour inspecter et changer le fusible.**

### **PROCÉDURE DE REMPLACEMENT DU FUSIBLE**

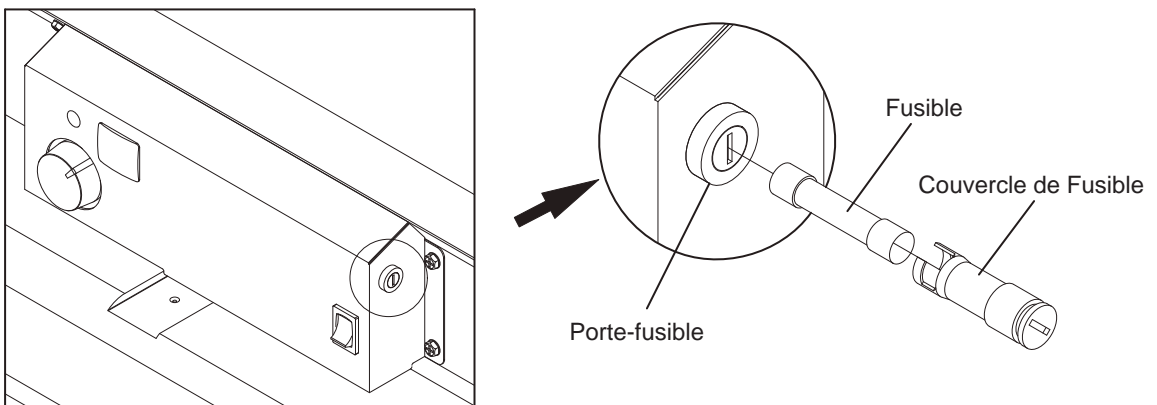
**⚠ AVERTISSEMENT : RISQUE DE CHOC ÉLECTRIQUE**  
**Pour éviter les blessures, débranchez le cordon d'alimentation  
avant de remplacer le fusible.**

1. Débranchez le chauffage.
2. Tournez le couvercle de fusible ANTIHORAIRE 45 ° à l'aide d'un tournevis à lame plate et retirez le fusible du porte-fusible.
3. Remplacez le fusible.

**⚠ AVERTISSEMENT : RISQUE D'INCENDIE**  
**Pour éviter les risques d'incendie, ne remplacez pas le fusible  
par un fusible de calibre supérieur ou inférieur.**

4. Tournez Couvercle de fusible HORAIRE 45° à l'aide d'un tournevis à lame plate tout en exerçant une légère pression.

**REMARQUE : Calibre de fusible spécifié :  
c.a. 250/20 A**



**Figure 17. Remplacement du fusible**

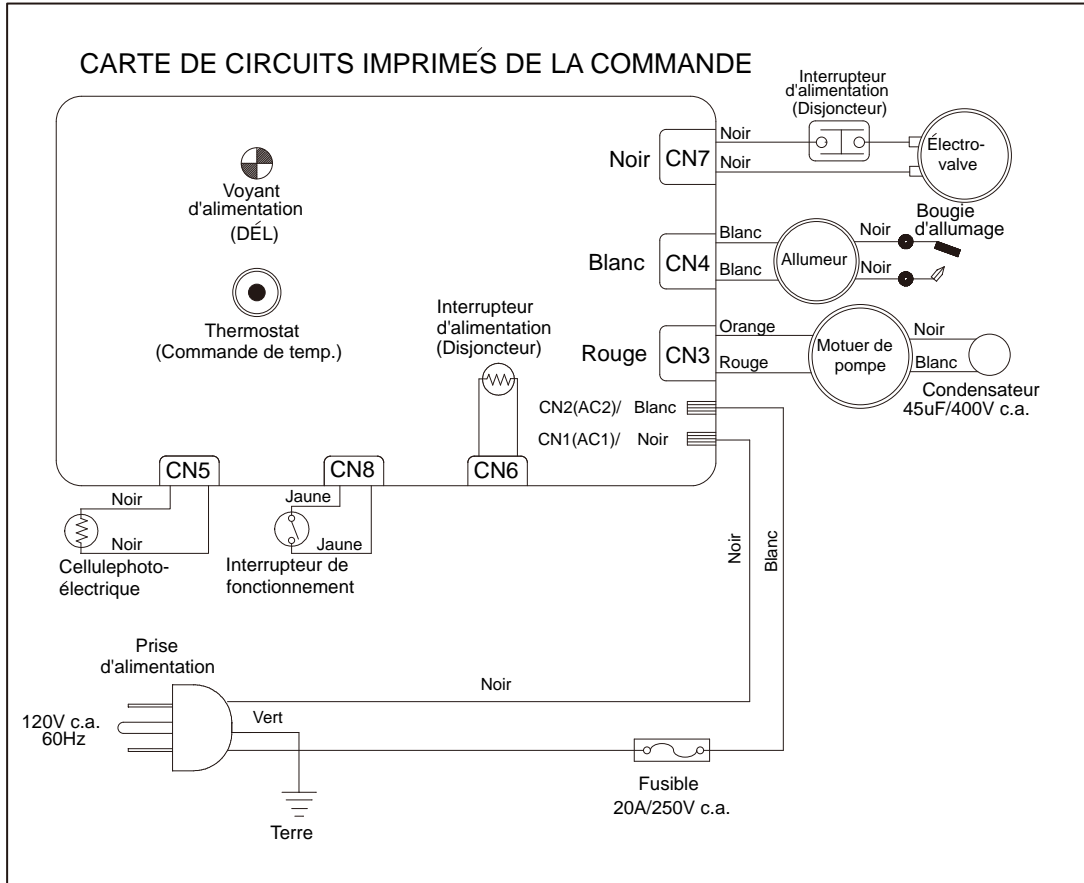
**NE LAISSEZ JAMAIS L'APPAREIL DE  
CHAUFFAGE ALLUMÉ SANS SURVEILLANCE!**

## **11. GUIDE DE DÉPISTAGE DES PANNES**

PROBLÈME	CAUSE POSSIBLE	SOLUTION
<b>Le radiateur s'allume mais la carte de circuits imprimés arrête le radiateur après quelques instants (le voyant vacille et l'afficheur de température ambiante indique « E1 »)</b>	<ol style="list-style-type: none"> <li>1.Pression de pompe incorrecte</li> <li>2.Filtre à carburant sale</li> <li>3.Buse sale</li> <li>4.Lentille de cellule photoélectrique sale</li> <li>5.Cellule photoélectrique mal installée (ne détecte pas la flamme)</li> <li>6.Mauvaise connexion électrique entre la cellule photoélectrique et la carte principale</li> <li>7.Cellule photoélectrique défectueuse</li> <li>8.Dispositif de sécurité de température limite est surchauffé</li> </ol>	<ol style="list-style-type: none"> <li>1.Voir le réglage de la pression de la pompe, page 13</li> <li>2.Voir Filtre à combustible, page 12</li> <li>3.Voir Buse, page 10</li> <li>4.Nettoyer la lentille de la cellule photoélectrique, page 11</li> <li>5.Vérifier que le capuchon de la cellule photoélectrique est logé correctement dans le support, (voir page 11)</li> <li>6.Vérifier les composants électriques, voir le schéma de câblage, page 15</li> <li>7.Remplacer la cellule photoélectrique, page 11</li> <li>8.Tourner le commutateur de fonctionnement sur "OFF" et le laisser refroidir (environ 10 min.). Puis tournez le commutateur de fonctionnement à position "ON".</li> </ol>
<b>Le radiateur ne s'allume pas mais le moteur fonctionne pendant une courte période de temps (le voyant vacille et l'afficheur de température ambiante indique « E1 »)</b>	<ol style="list-style-type: none"> <li>1.Pas de combustible dans le réservoir</li> <li>2.Pression de pompe incorrecte</li> <li>3.Dépôts de carbone sur la bougie d'allumage et/ou écartement incorrect</li> <li>4.Filtre à carburant sale</li> <li>5.Buse sale</li> <li>6.Eau dans le réservoir de combustible</li> <li>7.Mauvaise connexion électrique entre l'allumeur et la carte principale</li> <li>8.Le fil de l'allumeur n'est pas fixé à la bougie d'allumage</li> <li>9.Allumeur défectueux</li> <li>10.Électro-valve défectueuse (nes'ouvre pas)</li> </ol>	<ol style="list-style-type: none"> <li>1.Remplir le réservoir avec du kérosène</li> <li>2.Voir le Réglage de la pression de la pompe, page 13</li> <li>3.Voir Bougie d'allumage, page 10</li> <li>4.Voir Filtre à combustible, page 12</li> <li>5.Voir Buse, page 10</li> <li>6.Purger le réservoir de carburant avec du kérosène propre, page 9</li> <li>7.Vérifier les connexions électriques, voir le schéma de câblage, page 15</li> <li>8.Fixer le fil de l'allumeur à la bougie d'allumage. Voir Bougie d'allumage, page 10</li> <li>9.Remplacer l'allumeur</li> <li>10.Vérifier les connexions électriques et la tension de l'électro-valve. Remplacer une électro-valve défectueuse</li> </ol>
<b>Le ventilateur ne tourne pas lorsque le radiateur est branché et que l'interrupteur d'alimentation est à la position de marche (ON) (le voyant est allumé ou vacille)</b>	<ol style="list-style-type: none"> <li>1.Réglage trop bas du thermostat</li> <li>2.Mauvaise connexion électrique entre le moteur et la carte principale</li> </ol>	<ol style="list-style-type: none"> <li>1.Tourner le bouton du thermostat à un réglage plus élevé</li> <li>2.Vérifier les connexions électriques, voir le schéma de câblage, page 15</li> </ol>
<b>(Le voyant vacille et l'afficheur de température ambiante indique « E2 »)</b>	<ol style="list-style-type: none"> <li>1.Panne de capteur</li> </ol>	<ol style="list-style-type: none"> <li>1.Remplacer le capteur, voir le schéma de câblage, page 15</li> </ol>
<b>(Le voyant vacille et l'afficheur de température ambiante indique « E3 »)</b>	<ol style="list-style-type: none"> <li>1.Défaillance de l'interrupteur du thermostat</li> </ol>	<ol style="list-style-type: none"> <li>1.Remplacer le l'interrupteur du thermostat, voir le schéma de câblage, page 15</li> </ol>
<b>Le radiateur ne s'allume pas (le voyant est éteint)</b>	<ol style="list-style-type: none"> <li>1.Pas d'alimentation électrique</li> <li>2.Le fusible est grillé</li> </ol>	<ol style="list-style-type: none"> <li>1.Vérifier que le cordon d'alimentation et le cordon prolongateur sont branchés. Vérifier l'alimentation électrique</li> <li>2.Remplacer le fusible de sécurité sur écran de façade.</li> </ol>

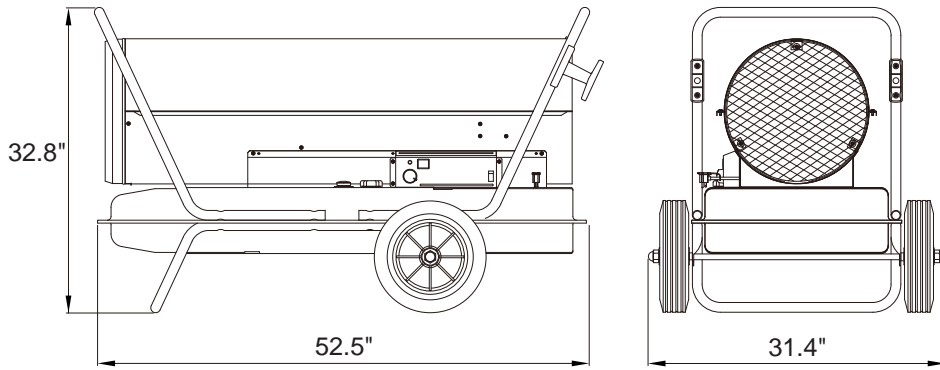
**NE LAISSEZ JAMAIS L'APPAREIL DE CHAUFFAGE ALLUMÉ SANS SURVEILLANCE!**

## 12. DIAGRAMME DE CÂBLAGE



**NE LAISSEZ JAMAIS L'APPAREIL DE  
CHAUFFAGE ALLUMÉ SANS SURVEILLANCE!**

### **13. CARACTÉRISTIQUES**



**RFA400T2**

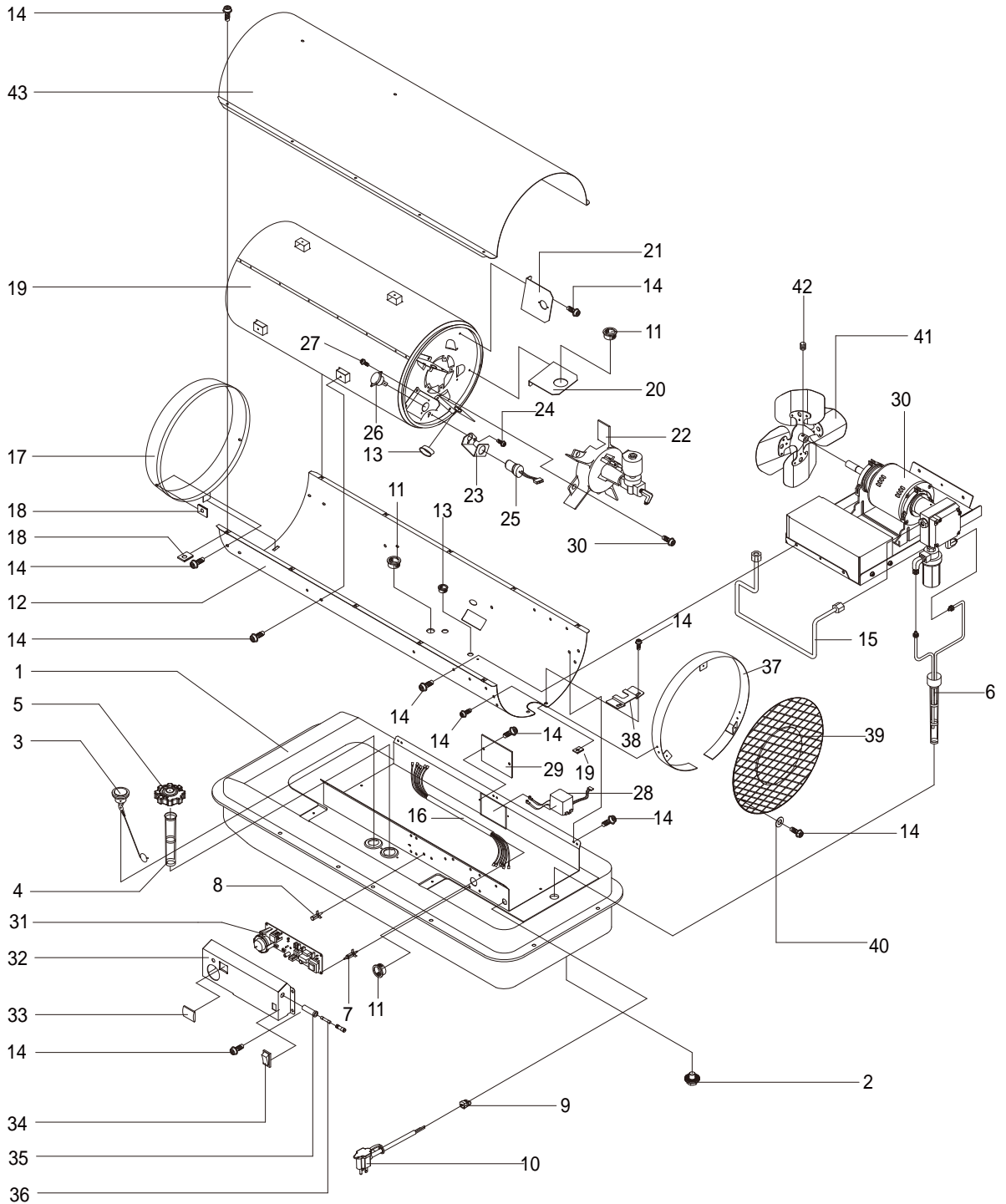
<b>MODÈLE</b>	RFA400T2
<b>BTU/H</b>	400,000
<b>Consommation de combustible - Gal./H (ℓ./H)</b>	3.0(11.36)
<b>Capacité du réservoir de combustible - Gal. (ℓ)</b>	29.0(110.0)
<b>Pression de la pompe PSI (kgf/ cm<sup>2</sup>)</b>	125(8.79)
<b>Volt/Hz</b>	120VAC/60/4.4
<b>Ampères</b>	1
<b>Dimensions (P L H), po (mm)</b>	52.5"×31.4"×32.8"(1,334×798×834)
<b>Poids lb (kg)</b>	150(68.0)



**NE LAISSEZ JAMAIS L'APPAREIL DE  
CHAUFFAGE ALLUMÉ SANS SURVEILLANCE!**

## **14. VUE ÉCLATÉE DES PIÈCES (modèle RFA400T2 uniquement)**

REMARQUE : PRÉCISEZ LE NUMÉRO DE MODÈLE ET LE NUMÉRO DE PIÈCE LORSQUE VOUS COMMANDEZ DES PIÈCES.



**NE LAISSEZ JAMAIS L' APPAREIL DE  
CHAUFFAGE ALLUMÉ SANS SURVEILLANCE!**

## 15. LISTE DES PIÈCES

N° SUR LE PLAN	DESCRIPTION	N° DE PIÈCE	Quantité
		<b>RFA400T2</b>	
1	Réservoir de carburant	2151-0010-01	1
2	Boulon de vidange	4329-0072-00	1
3	Jauge à combustible	2156-0053-00	1
4	Filtre à combustible	3221-0009-00	1
5	Bouchon de combustible	2151-0041-00	1
6	Col de remplissage	2155-0007-00	1
7	Support d'espacement	3713-0004-00	5
8	Support de carte	3713-0016-00	3
9	Douille de cordon	3712-0013-00	1
10	Cordon d'alimentation	3980-0268-00	1
11	Rondelle de bague	3231-0188-00	3
12	Enveloppe inférieure	3111-0195-07	1
13	Rondelle de bague	3231-0187-00	2
14	Vis d'accouplement	4319-0015-00	26
15	Canalisation de combustible	3740-0031-00	1
16	Faisceau du brûleur	39D0-0781-00	1
17	Extérieur du cône	2153-0012-01	1
18	Écrou d'attache	3131-0182-00	14
19	Chambre de combustion	2152-0037-00	1
20	Déflexeur d'air	3131-0650-00	1
21	Déflexeur d'air	3131-0651-00	4
22	Tête de brûleur	2152-0058-00	1
23	Support de cellule photoélectrique	3131-0159-00	1
24	Cellule photoélectrique	4311-0068-00	2
25	Vis (BH1)	2153-0007-00	1
26	Commande de limite de température	38C0-0032-00	1
27	Vis (BH2S)	4312-0021-00	2
28	Allumeur	39E0-0021-00	1
29	Couvercle d'allumeur	3131-0309-01	1
30	Moteur et pompe	2154-0025-00	1
31	Carte de circuits imprimés	215A-0075-00	1
32	Afficheur sur le couvercle	3121-0587-09	1
33	Regard	3231-0113-00	1
34	Interrupteur de fonctionnement	39A0-0209-00	1
35	Fusible	3930-0012-00	1
36	Porte-fusible	3920-0061-00	1
37	Protection de sécurité	2153-0011-01	1
38	Ferrure/Filtre	3131-0465-00	1
39	Protection en maille	3121-0336-01	1
40	Rondelle du dispositif d'agitation	3131-0240-00	3
41	Ventilateur	2154-0021-00	1
42	Douille standard pour boulon	4323-0005-00	1
43	Enveloppe supérieure	3111-0196-07	1

POUR OBTENIR UNE ASSISTANCE TECHNIQUE,  
ADRESSEZ-VOUS À VOTRE DÉ-TAILLANT OU  
CONTACTEZ NOUS: PHONE: 800-776-9425  
EMAIL: support@worldmkting.com or  
info@worldmkting.com www.worldmkting.com

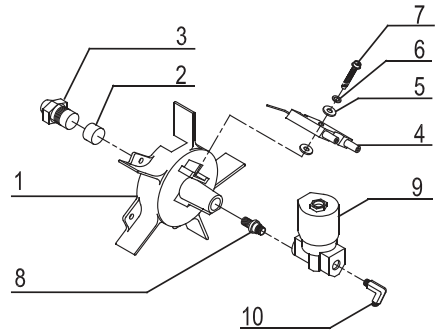


**NE LAISSEZ JAMAIS L' APPAREIL DE  
CHAUFFAGE ALLUMÉ SANS SURVEILLANCE!**

### **15. LISTE DES PIÈCES (Tête de brûleru ET Moteur et pompe)**

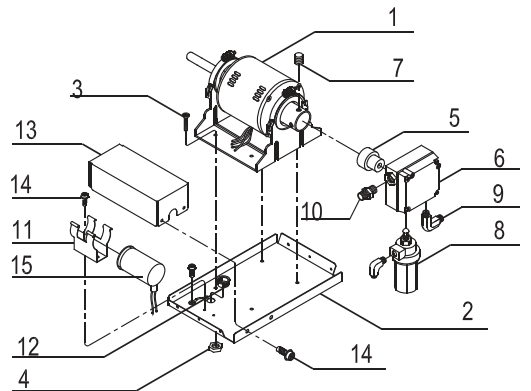
REMARQUE : PRÉCISEZ LE NUMÉRO DE MODÈLE ET LE NUMÉRO DE PIÈCE LORSQUE VOUS COMMANDEZ DES PIÈCES.

N° SUR LE PLAN	DESCRIPTION	N° DE PIÈCE	Quantité
1	Tête de brûleur	3541-0012-00	1
2	Fiche	3541-0060-00	1
3	Gicleur	SP-KFA1031	1
4	Bougie d'allumage	SP-KFA1009	1
5	Rondelle en fibre	4349-0017-00	1
6	Rondelle à ressort	4342-0009-00	1
7	Boulon à collerette	4329-0013-00	1
8	Tétine droite	3541-0057-00	1
9	Électro-valve	39A0-0084-00	1
10	Coude mâle	3740-0037-00	1



**Figure 18. Tête de brûleur**

N° SUR LE PLAN	DESCRIPTION	N° DE PIÈCE	Quantité
1	Moteur	3970-0081-00	1
2	Support de moteur	3121-0334-00	1
3	Boulon(HH)	4321-0182-00	4
4	Contre-écrou	4331-0022-00	4
5	Raccord de pompe	3531-0013-00	1
6	Pompe à engrenages	3740-0026-00	1
7	Douille de boulon sans tête	4323-0008-00	3
8	Filtre à l'huile	3740-0034-00	1
9	Coude mâle	3740-0044-00	1
10	Raccord droit	3740-0039-00	1
11	Support de condensateur	3131-0295-00	1
12	Rondelle de bague	3231-0187-00	1
13	Couverde de condensateur	3121-0338-00	1
14	Vis d'accouplement	4319-0015-02	4
15	Condensateur	3820-0144-00	1



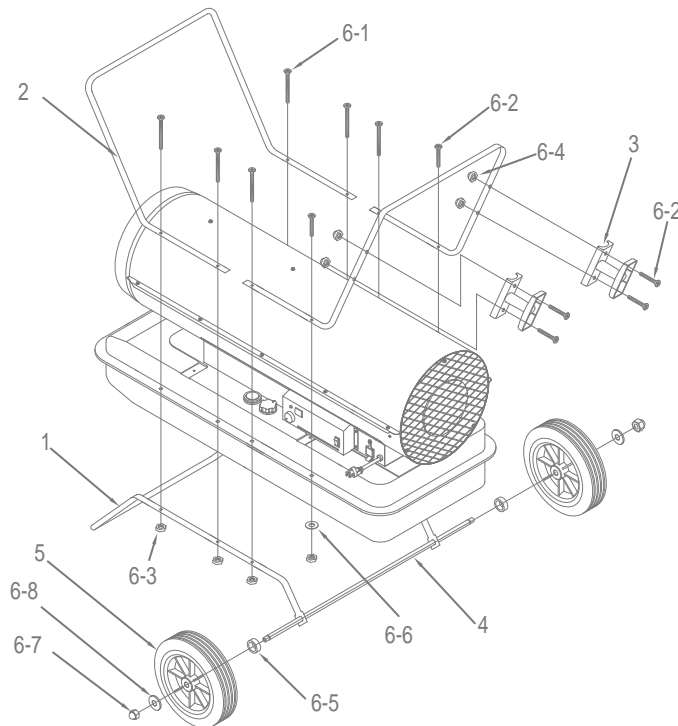
**Figure 19. Moteur et pompe**

**NE LAISSEZ JAMAIS L' APPAREIL DE  
CHAUFFAGE ALLUMÉ SANS SURVEILLANCE!**

### **15. LISTE DES PIÈCES (ROUES ET POIGNÉE)**

REMARQUE : PRÉCISEZ LE NUMÉRO DE MODÈLE ET LE NUMÉRO DE PIÈCE LORSQUE VOUS COMMANDEZ DES PIÈCES.

N° SUR LE PLAN	DESCRIPTION	N° DE PIÈCE	Quantité
1	Cadre de support de roue	3551-0098-00	1
2	poignée	3551-0036-00	2
3	Dispositif d'enroulement du cordon	3221-0052-00	2
4	Axe fileté	3541-0096-00	1
5	Roue	3720-0004-00	2
6	Trousse de visserie	HW-KFA1019	1
6-1	Vis longue	Inclus dans la trousse de matériel	6
6-2	Vis courte	Inclus dans la trousse de matériel	6
6-3	Écrous	Inclus dans la trousse de matériel	8
6-4	Écrous borgnes coutes	Inclus dans la trousse de matériel	4
6-5	Bagues	Inclus dans la trousse de matériel	2
6-6	Rondelles(S)	Inclus dans la trousse de matériel	2
6-7	Écrous borgnes lonques	Inclus dans la trousse de matériel	2
6-8	Rondelles(L)	Inclus dans la trousse de matériel	2



**GARANTIE LIMITÉE :** World Marketing of America, Inc. garantit que cet appareil de chauffage Reddy est exempt de tout vice de matériaux et de fabrication pendant une période de deux (2) ans. Cette garantie est limitée à l'acheteur original (NON TRANSFÉRABLE) et exige une preuve d'achat telle qu'une facture, un chèque annulé, un reçu de caisse, etc. Cette garantie est limitée aux vices de matériaux et de fabrication et ne couvre pas l'entretien normal nécessaire au bon fonctionnement de l'appareil de chauffage. Le remplacement des rotors, des filtres, des fusibles et des allumeurs n'est pas couvert par la présente garantie.

La présente garantie ne concerne pas les produits achetés à des fins de location.

**RESPONSABILITÉS DU PROPRIÉTAIRE :** Cet appareil de chauffage doit être utilisé selon les instructions écrites qui l'accompagnent. Cette garantie n'exonère pas le propriétaire d'entretenir correctement cet appareil de chauffage conformément aux instructions écrites fournies avec celui-ci. Un acte de vente, un chèque annulé ou un relevé de paiement doit être conservé pour vérifier la date d'achat et pour établir la période de garantie. La boîte d'origine doit être conservée en cas de retour de l'appareil sous garantie.

**CE QUI N'EST PAS COUVERT :**

1. Dommages résultant de l'utilisation d'un carburant inapproprié.
2. Dommages causés par une mauvaise utilisation ou une utilisation non conforme au manuel d'utilisation et aux consignes de sécurité.
3. Dommages causés par un manque d'entretien normal.
4. Fusibles
5. Utilisation de pièces ou d'accessoires non conformes à la norme.
6. Dommages causés lors du transport. Les frais de transport des pièces sous garantie ou des appareils de chauffage vers et depuis l'usine sont à la charge du propriétaire.

En cas de défaut, la présente Garantie limitée se limite à la réparation ou au remplacement des pièces qui s'avèrent défectueuses dans des conditions normales d'utilisation et d'entretien au cours de la période de garantie limitée. World Marketing of America, Inc. renonce à toute autre garantie pour les produits achetés auprès de vendeurs autres que les détaillants ou distributeurs agréés. World Marketing of America, Inc. (et ses sociétés affiliées) NE SERONT EN AUCUN CAS RESPONSABLES ENVERS L'ACHETEUR OU TOUT AUTRE TIERS POUR LES DOMMAGES SPÉCIAUX, INDIRECTS, PUNITIFS, ACCESSOIRES OU CONSÉCUTIFS. Ce produit doit être correctement entretenu et utilisé conformément aux instructions fournies dans le présent document. La présente Garantie limitée ne couvre pas les défaillances ou difficultés de fonctionnement dues à une utilisation et une usure normales, à un accident, à un abus, à une mauvaise utilisation, à une modification, à une mauvaise application, à une installation incorrecte ou à une maintenance ou un service inadéquats de votre part ou de la part de tout tiers. Le défaut d'entretien normal et périodique du produit et les dommages dus à des facteurs environnementaux ne sont pas couverts par la présente Garantie limitée. World Marketing of America, Inc. ne peut être tenu responsable de tout défaut causé par des tiers.

World Marketing of America, Inc NE FAIT AUCUNE DÉCLARATION NI NE DONNE AUCUNE GARANTIE, EXPRESSE OU IMPLICITE, CONCERNANT CET APPAREIL DE CHAUFFAGE, AUTRE QUE (I) LA GARANTIE LIMITÉE CI-DESSUS, ET (II) TOUTE GARANTIE IMPLICITE IMPOSÉE PAR LA LOI APPLICABLE ET QUI NE PEUT ÊTRE ANNULÉE OU REFUSÉE EN VERTU DE LA LOI EN VIGUEUR. LA GARANTIE LIMITÉE ÉNONCÉE DANS LE PRÉSENT DOCUMENT EST LA SEULE GARANTIE FOURNIE À L'ACHETEUR ET REMPLACE TOUTES LES AUTRES GARANTIES ET DÉCLARATIONS, EXPLICITES OU IMPLICITES.

Cette Garantie limitée donne à l'acheteur des droits légaux particuliers ; un acheteur peut avoir d'autres droits en fonction de son lieu de résidence. Certains États n'autorisent pas l'exclusion ou la limitation des dommages spéciaux, accessoires ou consécutifs, ou la loi de l'État peut affecter la durée des limitations, de sorte que l'exclusion et les limitations ci-dessus peuvent ne pas être applicables.